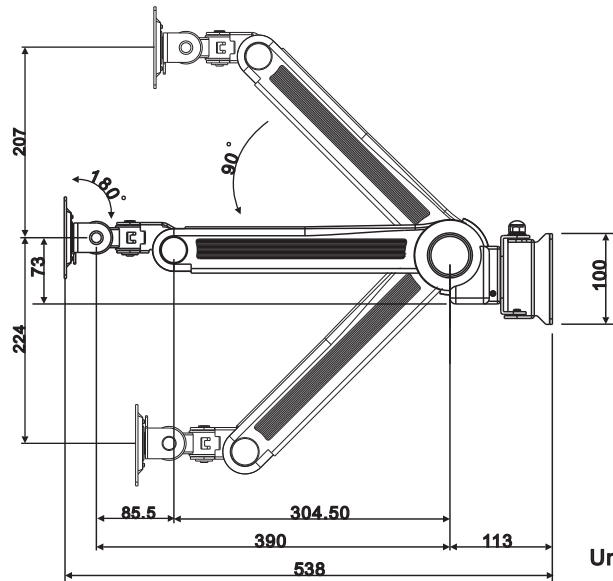
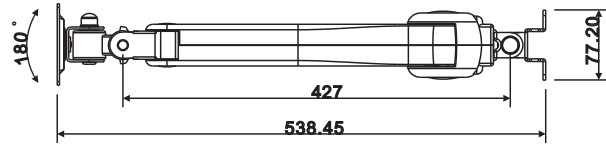
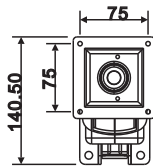
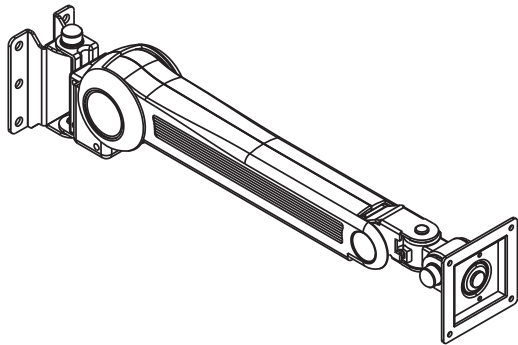


LCD Monitor Arms

Specification

*Strong loading up to 7 kgs LCD Monitor.



Unit:mm

Parts List

MAIN PARTS

ITEM	1	2	3	4	5	6	7
PARTS			 φ20Xd8	 M8	 φ18Xd9		
QTY	1	1	3	1	1	1	1

PARTS FOR TV BRACKETS

ITEM	8	9	10	11
PARTS		 M8	 M4X8	 M4X12
QTY	1	1	4	4

PARTS FOR WALL BRACKETS

ITEM	12	13
PARTS		
QTY	4	4

- Beware of the specification as first page.
- Please choose the thickness of solid table over 10mm.
- Please evaluate the desk material whether is stable for installation.
- Recommend the other persons to hold the monitor.
- Unplug all the cables off the TV.

