

Operation & Assembly Instruction

AR-2LC

*Fully assembled

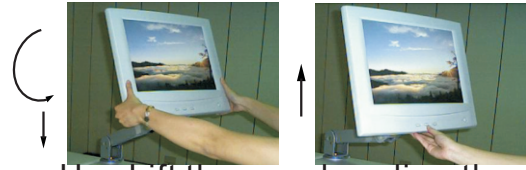
*Meet VESA standards:

75x75 mm and/or 100x100 mm
hole pattern bracket.

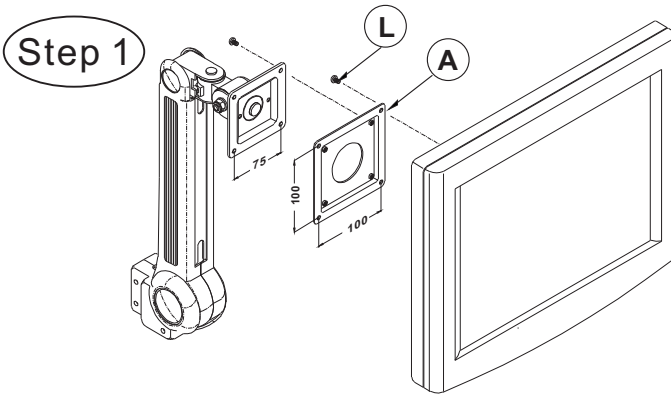
*Installation Methods :

*Operating Skill

Down: Tilt the panel and then pull it down

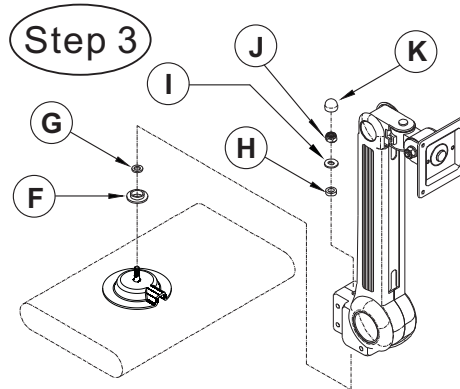
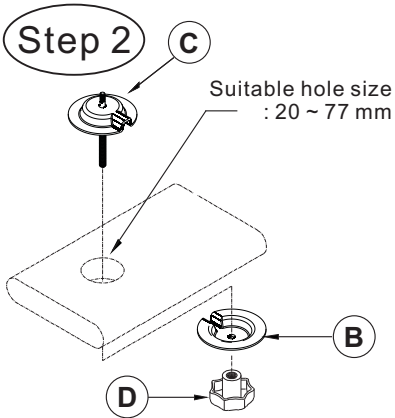
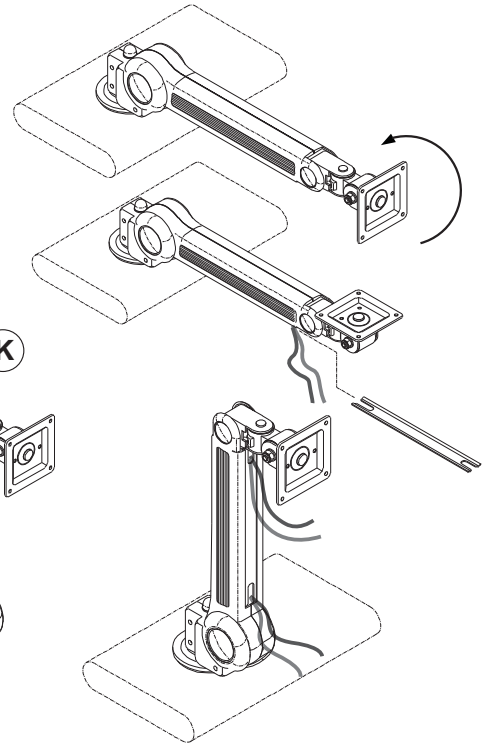


Up : Lift the panel up directly

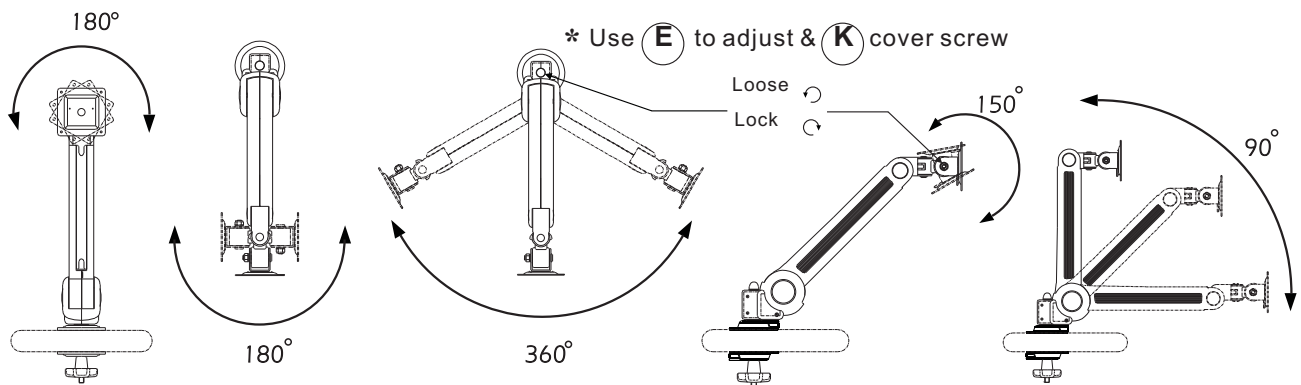


Step 4

1. Lay the arm face down
2. Pull the back cover out
3. Insert the cable



*Features:



ITEM	(A)	(B)	(C)	(D)	(E)	(F)	(G)	(H)	(I)	(J)	(K)	(L)
PARTS												
QTY	1	1	1	1	1	1	1	1	1	1	2	8