

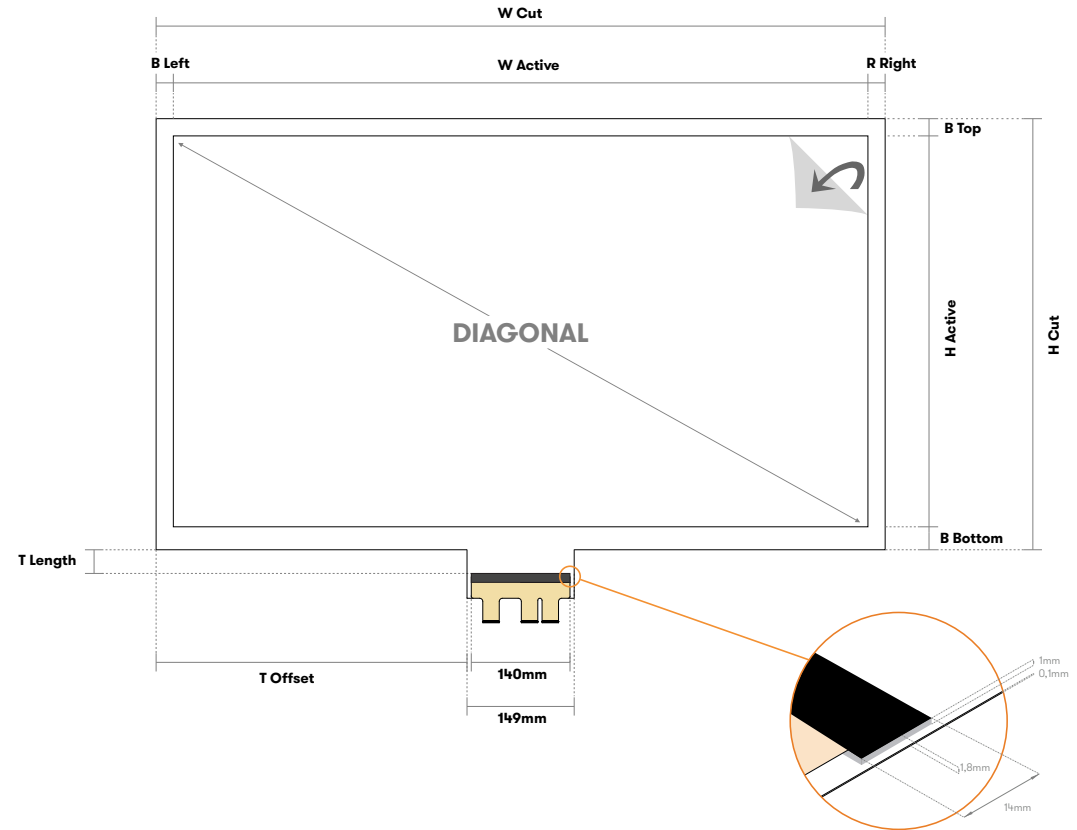
# DISPLAX SKIN FIT

## BOTTOM TAIL

Aspect Ratio 16:9

| Diagonal | W Active | H Active | W Cut | H Cut | B Top | B Left | B Right | B Bottom | T Offset | T Length |
|----------|----------|----------|-------|-------|-------|--------|---------|----------|----------|----------|
| 30       | 664      | 374      | 694   | 414   | 15    | 15     | 15      | 25       | 273      | 50       |
| 32       | 699      | 393      | 729   | 433   | 15    | 15     | 15      | 25       | 290      | 50       |
| 40       | 886      | 498      | 916   | 538   | 15    | 15     | 15      | 25       | 384      | 50       |
| 42       | 930      | 523      | 960   | 563   | 15    | 15     | 15      | 25       | 406      | 50       |
| 43       | 941      | 530      | 971   | 570   | 15    | 15     | 15      | 25       | 411      | 50       |
| 46       | 1019     | 573      | 1049  | 613   | 15    | 15     | 15      | 25       | 450      | 50       |
| 47       | 1040     | 585      | 1070  | 625   | 15    | 15     | 15      | 25       | 461      | 50       |
| 48       | 1063     | 598      | 1093  | 638   | 15    | 15     | 15      | 25       | 472      | 50       |
| 49       | 1074     | 604      | 1104  | 644   | 15    | 15     | 15      | 25       | 478      | 50       |
| 50       | 1107     | 623      | 1137  | 663   | 15    | 15     | 15      | 25       | 494      | 50       |
| 52       | 1150     | 648      | 1180  | 688   | 15    | 15     | 15      | 25       | 516      | 50       |
| 55       | 1210     | 681      | 1240  | 721   | 15    | 15     | 15      | 25       | 546      | 50       |
| 57       | 1252     | 704      | 1282  | 744   | 15    | 15     | 15      | 25       | 567      | 50       |
| 58       | 1284     | 722      | 1314  | 762   | 15    | 15     | 15      | 25       | 583      | 50       |
| 60       | 1328     | 747      | 1358  | 787   | 15    | 15     | 15      | 25       | 605      | 50       |
| 65       | 1429     | 804      | 1459  | 844   | 15    | 15     | 15      | 25       | 655      | 50       |
| 68       | 1505     | 847      | 1535  | 887   | 15    | 15     | 15      | 25       | 693      | 50       |
| 70       | 1550     | 872      | 1580  | 912   | 15    | 15     | 15      | 25       | 716      | 50       |
| 72       | 1594     | 897      | 1624  | 937   | 15    | 15     | 15      | 25       | 738      | 50       |
| 74       | 1638     | 922      | 1668  | 962   | 15    | 15     | 15      | 25       | 760      | 50       |
| 75       | 1651     | 929      | 1681  | 969   | 15    | 15     | 15      | 25       | 766      | 50       |
| 80       | 1771     | 997      | 1801  | 1037  | 15    | 15     | 15      | 25       | 826      | 50       |
| 82       | 1815     | 1021     | 1845  | 1061  | 15    | 15     | 15      | 25       | 848      | 50       |
| 84       | 1860     | 1046     | 1890  | 1086  | 15    | 15     | 15      | 25       | 871      | 50       |
| 85       | 1882     | 1059     | 1912  | 1099  | 15    | 15     | 15      | 25       | 882      | 50       |
| 86       | 1898     | 1069     | 1928  | 1109  | 15    | 15     | 15      | 25       | 890      | 50       |
| 90       | 1990     | 1121     | 2020  | 1161  | 15    | 15     | 15      | 25       | 936      | 50       |
| 98       | 2159     | 1215     | 2189  | 1255  | 15    | 15     | 15      | 25       | 1020     | 50       |
| 100      | 2210     | 1245     | 2240  | 1285  | 15    | 15     | 15      | 25       | 1046     | 50       |
| 105      | 2325     | 1308     | 2355  | 1348  | 15    | 15     | 15      | 25       | 1103     | 50       |

View from user side



© DISPLAX. All Rights Reserved  
 The drawing and information here are property of DISPLAX and must be kept confidential.  
 It shall not be copied or given to any third party without written permission from DISPLAX.  
 For more information www.displax.com

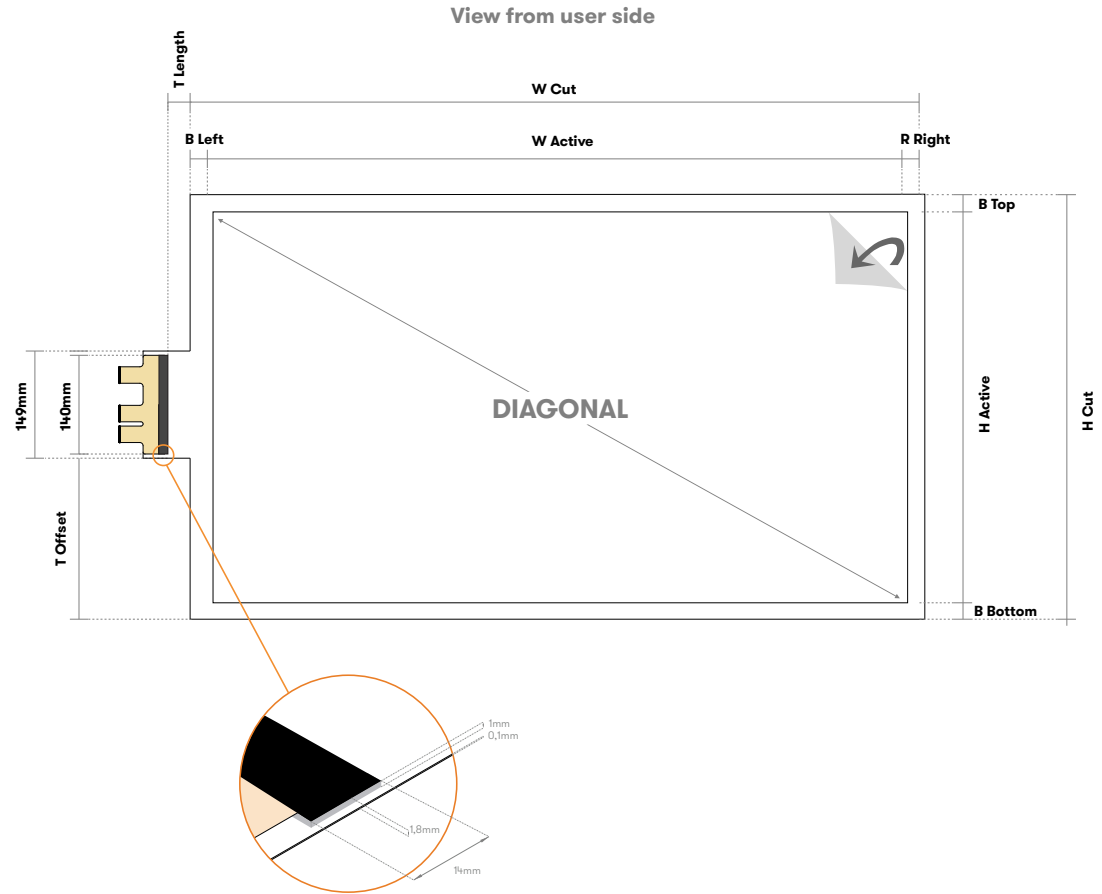
|   |   |   |                              |                 |
|---|---|---|------------------------------|-----------------|
| SPECIFICATION AND DESIGN SUBJECT TO CHANGE WITHOUT NOTICE | Title:<br><b>DISPLAX SKIN FIT Standard Drawings</b>                                       |   |                              |                 |
|   | Material:<br>SKIN - Polymer foil<br>PCB - Fiberglass board<br>FLEX CABLE - Polyester film | Date:<br>2020/09/02   |                              |                 |
|   | Projection:<br>Third Angle Projection   | Dimensions:<br>Standard sizes (mm)<br>All other dimensions in millimeters | Drawn by:<br>DISPLAX         |                 |
|   |   | Tolerance:<br>Foil: +/- 1mm    FPC: +/- 0,1mm                             | Drawing not to scale         |                 |
|   |   |   | Document code:<br>MKT.267.14 | Sheet<br>1 of 3 |

# DISPLAX SKIN FIT

## SIDE TAIL

Aspect Ratio 16:9

| Diagonal | W Active | H Active | W Cut | H Cut | B Top | B Left | B Right | B Bottom | T Offset | T Length |
|----------|----------|----------|-------|-------|-------|--------|---------|----------|----------|----------|
| 30       | 664      | 374      | 704   | 404   | 15    | 25     | 15      | 15       | 128      | 50       |
| 32       | 699      | 393      | 739   | 423   | 15    | 25     | 15      | 15       | 137      | 50       |
| 40       | 886      | 498      | 926   | 528   | 15    | 25     | 15      | 15       | 190      | 50       |
| 42       | 930      | 523      | 970   | 553   | 15    | 25     | 15      | 15       | 202      | 50       |
| 43       | 941      | 530      | 981   | 560   | 15    | 25     | 15      | 15       | 206      | 50       |
| 46       | 1019     | 573      | 1059  | 603   | 15    | 25     | 15      | 15       | 227      | 50       |
| 47       | 1040     | 585      | 1080  | 615   | 15    | 25     | 15      | 15       | 233      | 50       |
| 48       | 1063     | 598      | 1103  | 628   | 15    | 25     | 15      | 15       | 240      | 50       |
| 49       | 1074     | 604      | 1114  | 634   | 15    | 25     | 15      | 15       | 243      | 50       |
| 50       | 1107     | 623      | 1147  | 653   | 15    | 25     | 15      | 15       | 252      | 50       |
| 52       | 1150     | 648      | 1190  | 678   | 15    | 25     | 15      | 15       | 265      | 50       |
| 55       | 1210     | 681      | 1250  | 711   | 15    | 25     | 15      | 15       | 281      | 50       |
| 57       | 1252     | 704      | 1292  | 734   | 15    | 25     | 15      | 15       | 293      | 50       |
| 58       | 1284     | 722      | 1324  | 752   | 15    | 25     | 15      | 15       | 302      | 50       |
| 60       | 1328     | 747      | 1368  | 777   | 15    | 25     | 15      | 15       | 314      | 50       |
| 65       | 1429     | 804      | 1469  | 834   | 15    | 25     | 15      | 15       | 343      | 50       |
| 68       | 1505     | 847      | 1545  | 877   | 15    | 25     | 15      | 15       | 364      | 50       |
| 70       | 1550     | 872      | 1590  | 902   | 15    | 25     | 15      | 15       | 377      | 50       |
| 72       | 1594     | 897      | 1634  | 927   | 15    | 25     | 15      | 15       | 389      | 50       |
| 74       | 1638     | 922      | 1678  | 952   | 15    | 25     | 15      | 15       | 402      | 50       |
| 75       | 1651     | 929      | 1691  | 959   | 15    | 25     | 15      | 15       | 405      | 50       |
| 80       | 1771     | 997      | 1811  | 1027  | 15    | 25     | 15      | 15       | 439      | 50       |
| 82       | 1815     | 1021     | 1855  | 1051  | 15    | 25     | 15      | 15       | 451      | 50       |
| 84       | 1860     | 1046     | 1900  | 1076  | 15    | 25     | 15      | 15       | 464      | 50       |
| 85       | 1882     | 1059     | 1922  | 1089  | 15    | 25     | 15      | 15       | 470      | 50       |
| 86       | 1898     | 1069     | 1938  | 1099  | 15    | 25     | 15      | 15       | 475      | 50       |
| 90       | 1990     | 1121     | 2030  | 1151  | 15    | 25     | 15      | 15       | 501      | 50       |
| 98       | 2159     | 1215     | 2199  | 1245  | 15    | 25     | 15      | 15       | 548      | 50       |
| 100      | 2210     | 1245     | 2250  | 1275  | 15    | 25     | 15      | 15       | 563      | 50       |
| 105      | 2325     | 1308     | 2365  | 1338  | 15    | 25     | 15      | 15       | 594      | 50       |

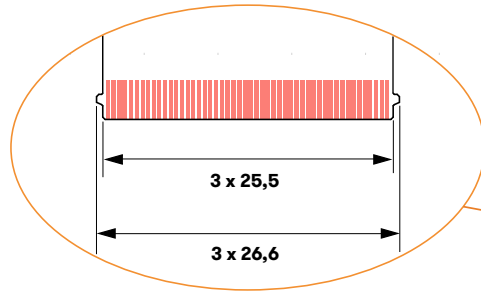


© DISPLAX. All Rights Reserved  
 The drawing and information here are property of DISPLAX and must be kept confidential.  
 It shall not be copied or given to any third party without written permission from DISPLAX.  
 For more information www.displax.com

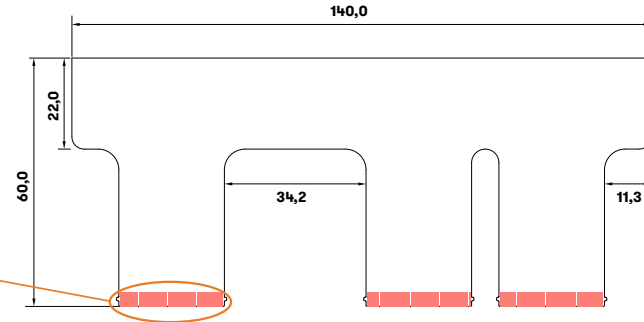
|   |   |   |   |                 |
|---|---|---|---|-----------------|
| SPECIFICATION AND DESIGN SUBJECT TO CHANGE WITHOUT NOTICE | Title:<br><b>DISPLAX SKIN FIT Standard Drawings</b>                                       |   |   |                 |
|   | Material:<br>SKIN - Polymer foil<br>PCB - Fiberglass board<br>FLEX CABLE - Polyester film | Date:<br>2020/09/02                           |   |                 |
|   | Projection:<br>Third Angle Projection   | Drawn by:<br>DISPLAX                          | Dimensions:<br>Standard sizes (mm)<br>All other dimensions in millimeters |                 |
|   |   | Tolerance:<br>Foil: +/- 1mm    FPC: +/- 0,1mm | Drawing not to scale  |                 |
|   |   |   | Document code:<br>MKT.267.14  | Sheet<br>2 of 3 |

# DISPLAX SKIN FIT

## FPC & TOUCH CONTROLLER

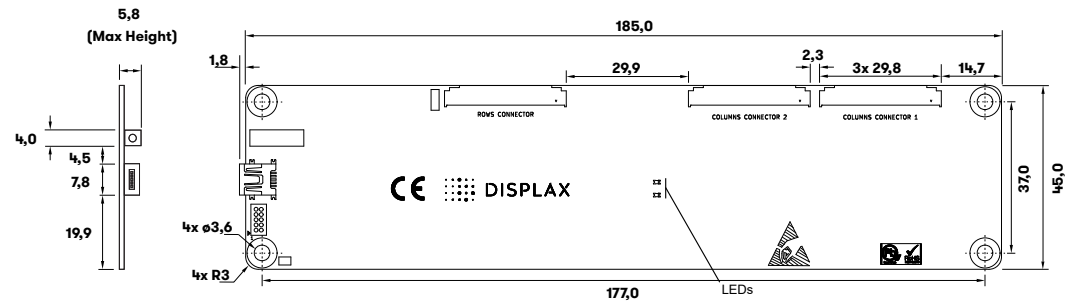


### FPC - FLEX CONNECTOR DIMENSIONS -



### TOUCH CONTROLLER DIMENSIONS

Screw diameter: M3 or M3.5



|   |   |   |                              |
|---|---|---|------------------------------|
| SPECIFICATION AND DESIGN SUBJECT TO CHANGE WITHOUT NOTICE | Title:<br><b>DISPLAX SKIN FIT Standard Drawings</b>                                       |   |                              |
|   | Material:<br>SKIN - Polymer foil<br>PCB - Fiberglass board<br>FLEX CABLE - Polyester film | Date:<br>2020/09/02   |                              |
|   | Projection:<br>Third Angle Projection<br>   | Dimensions:<br>Standard sizes (mm)<br>All other dimensions in millimeters | Drawn by:<br>DISPLAX         |
|   | Tolerance:<br>Foil: +/- 1mm    FPC: +/- 0,1mm   | Drawing not to scale  | Document code:<br>MKT.267.14 |