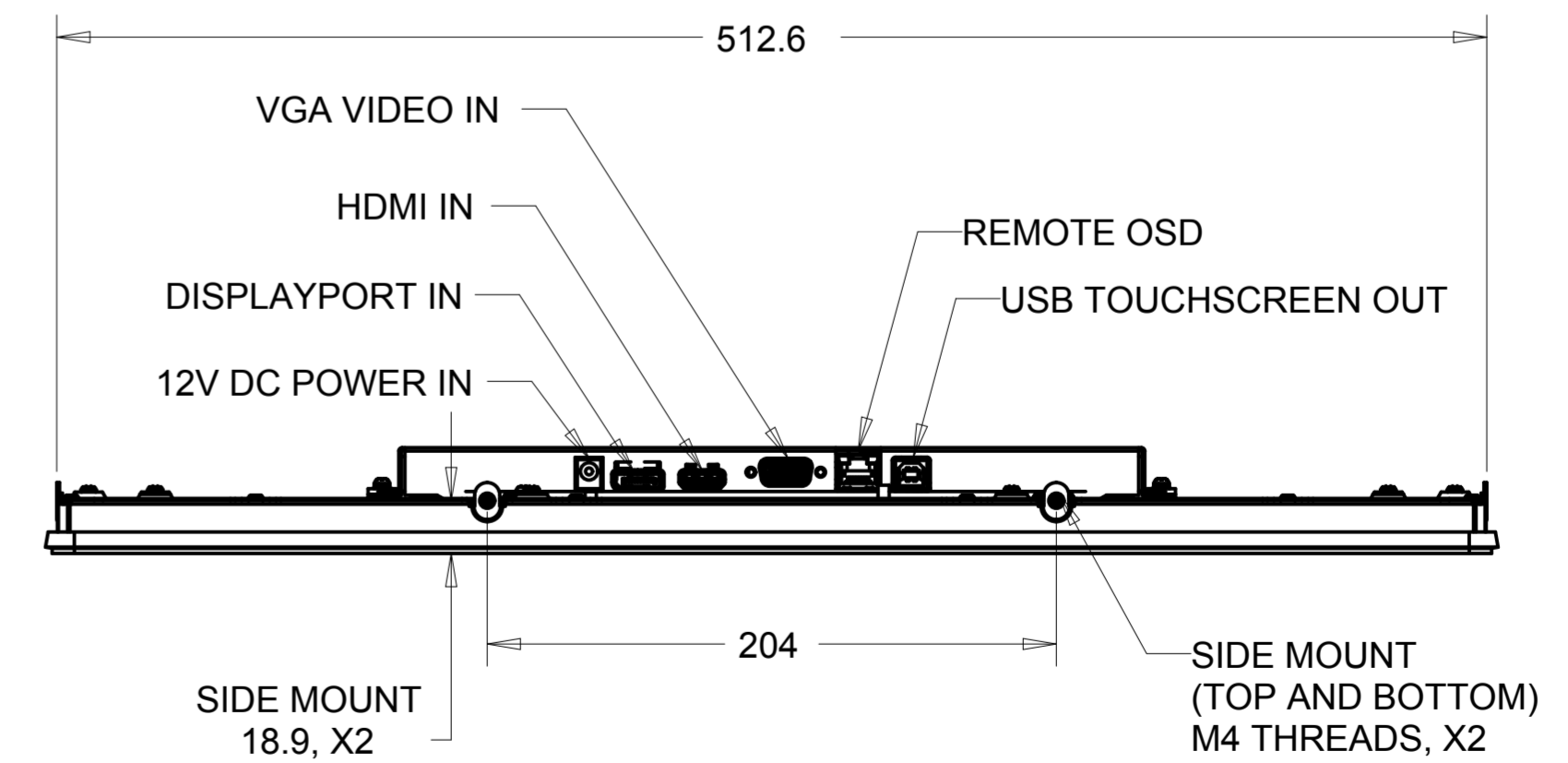
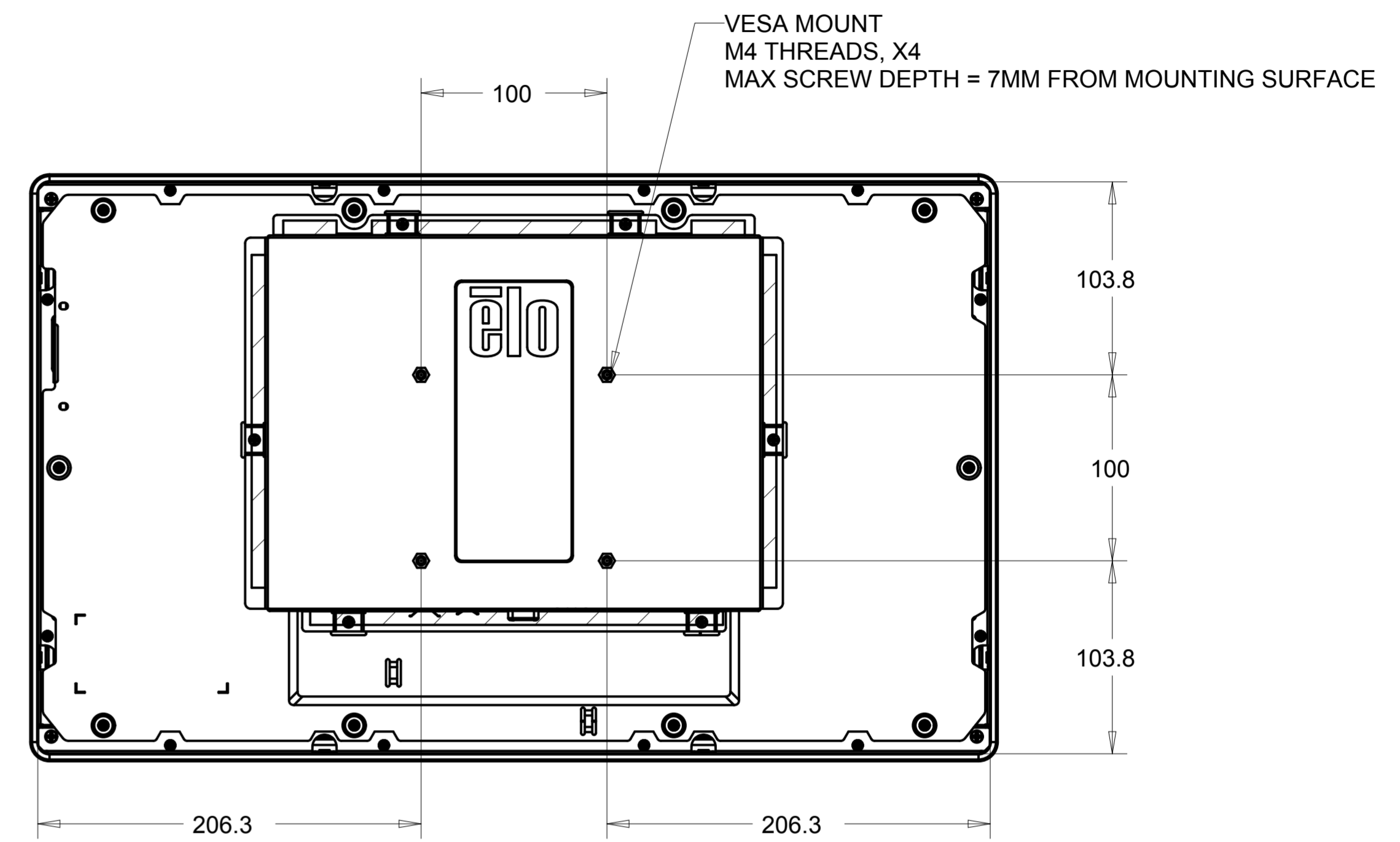
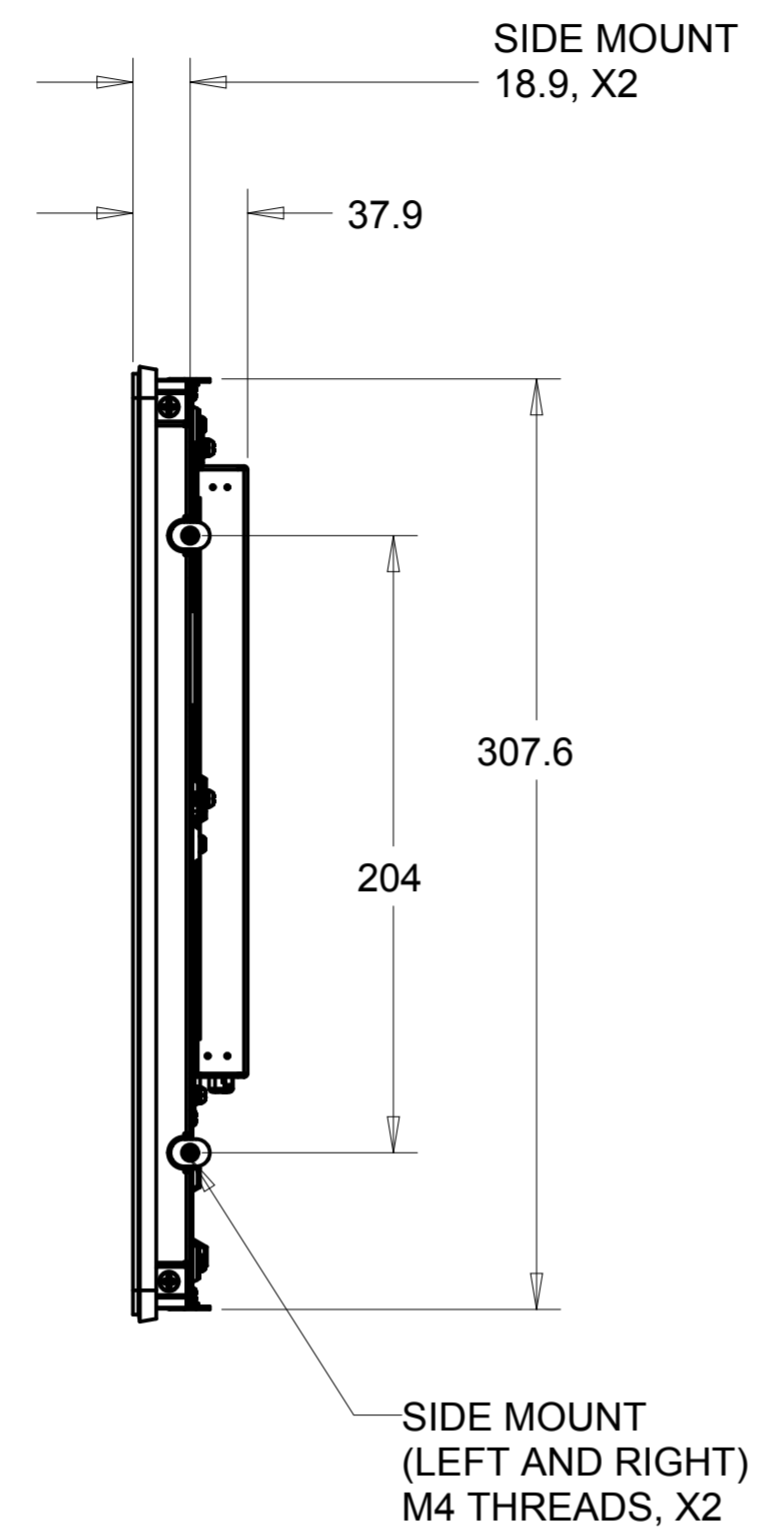
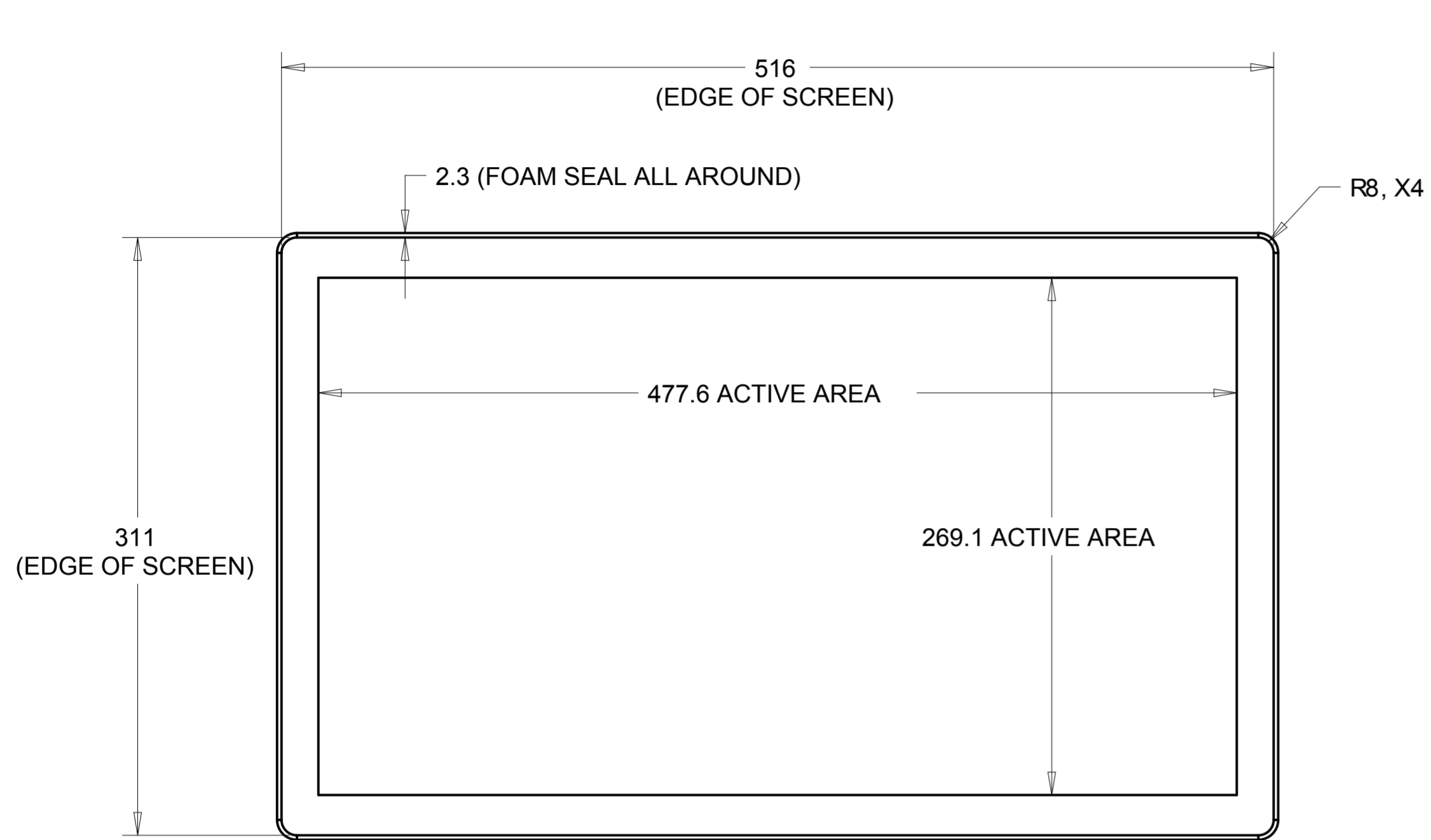
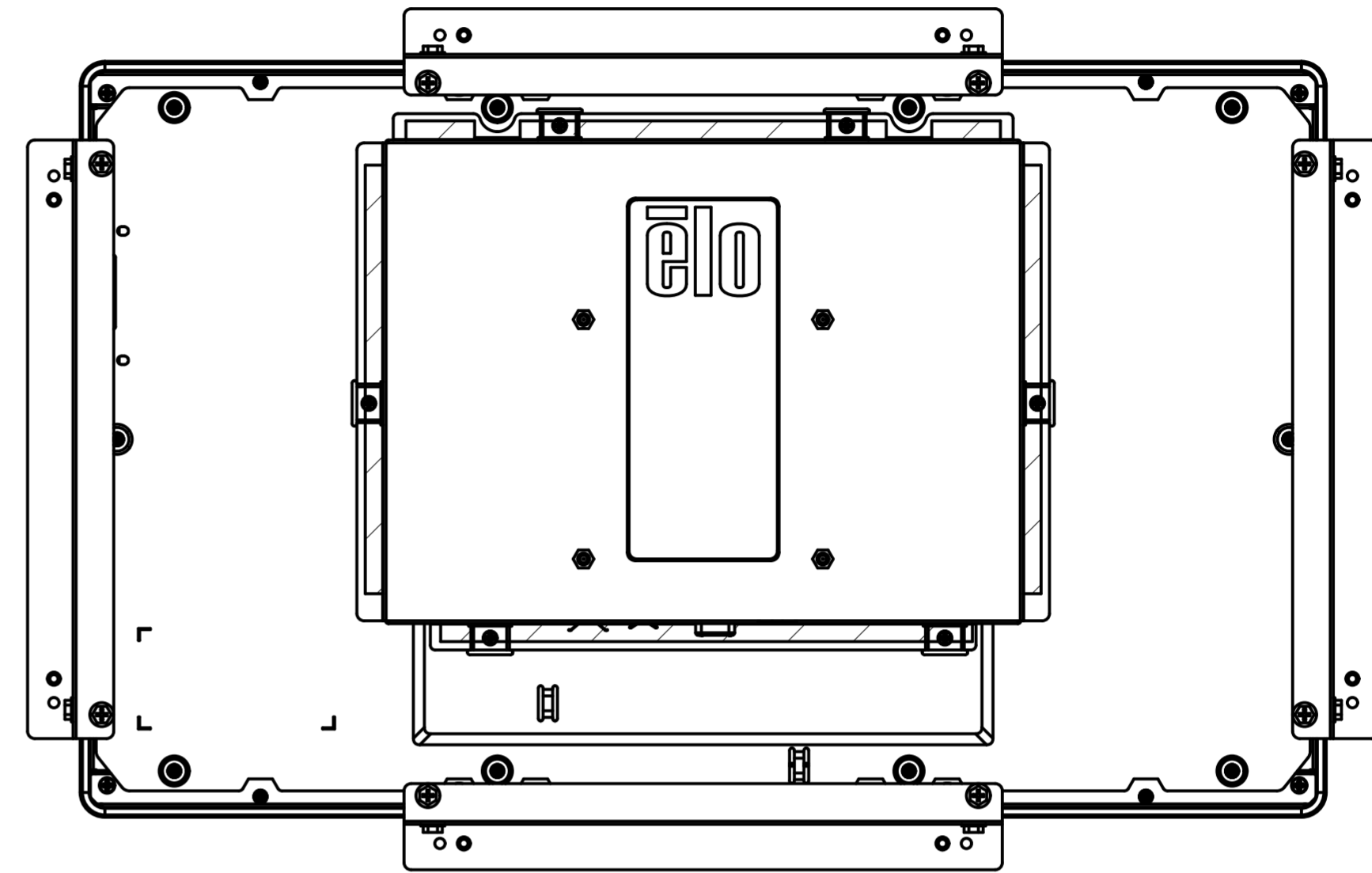
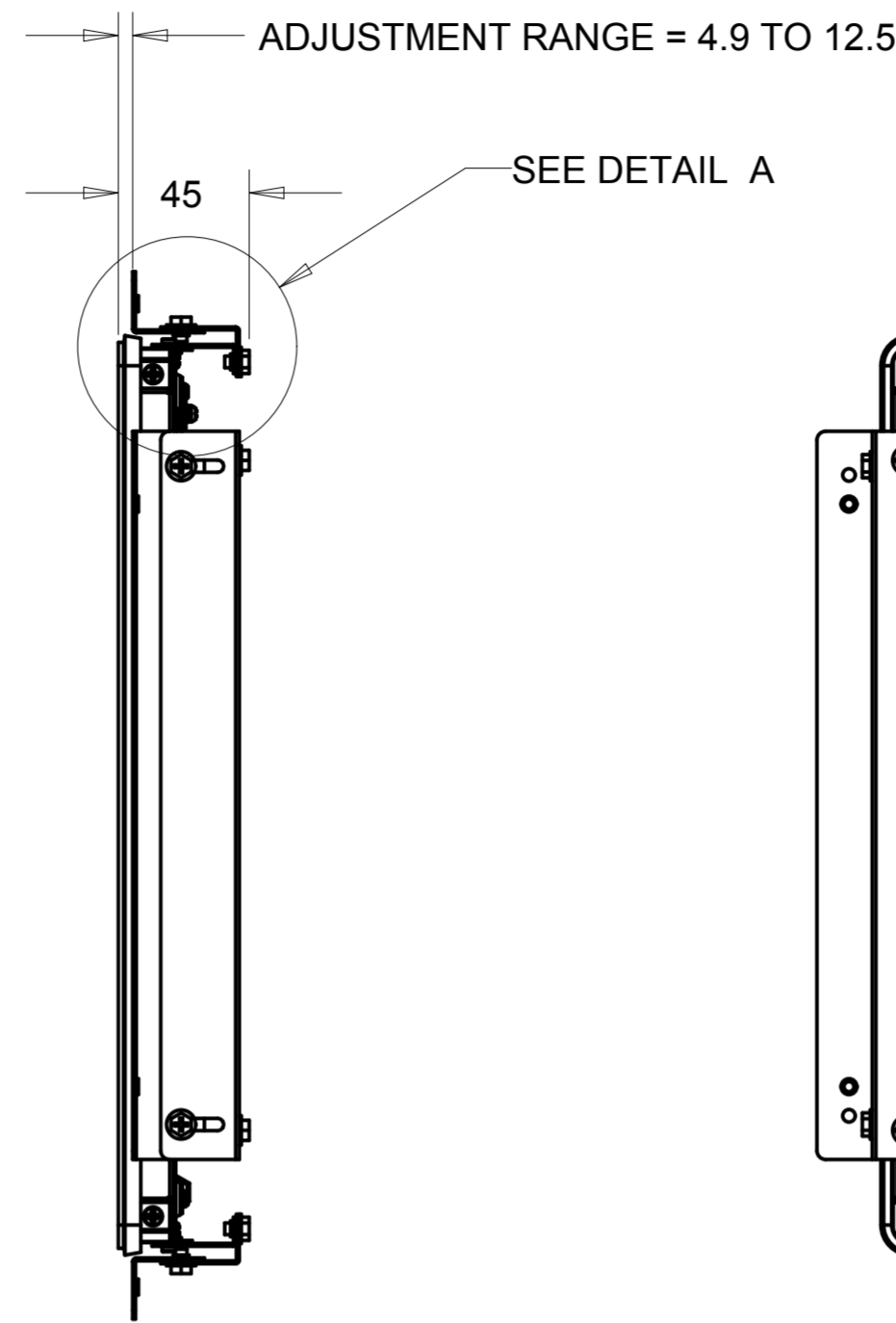
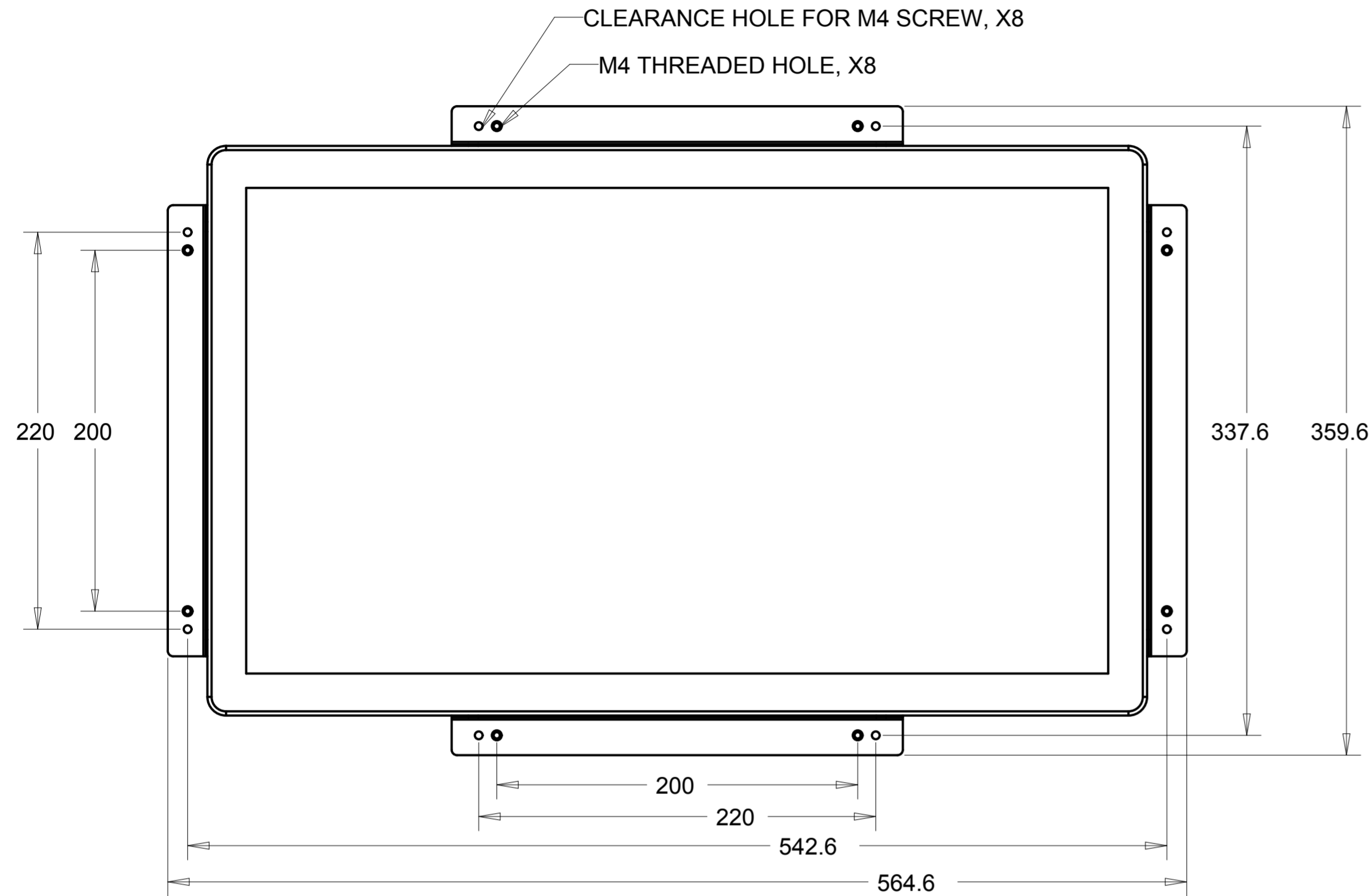


PROJECTED CAPACITIVE MODEL AND  
NON-TOUCH MODEL



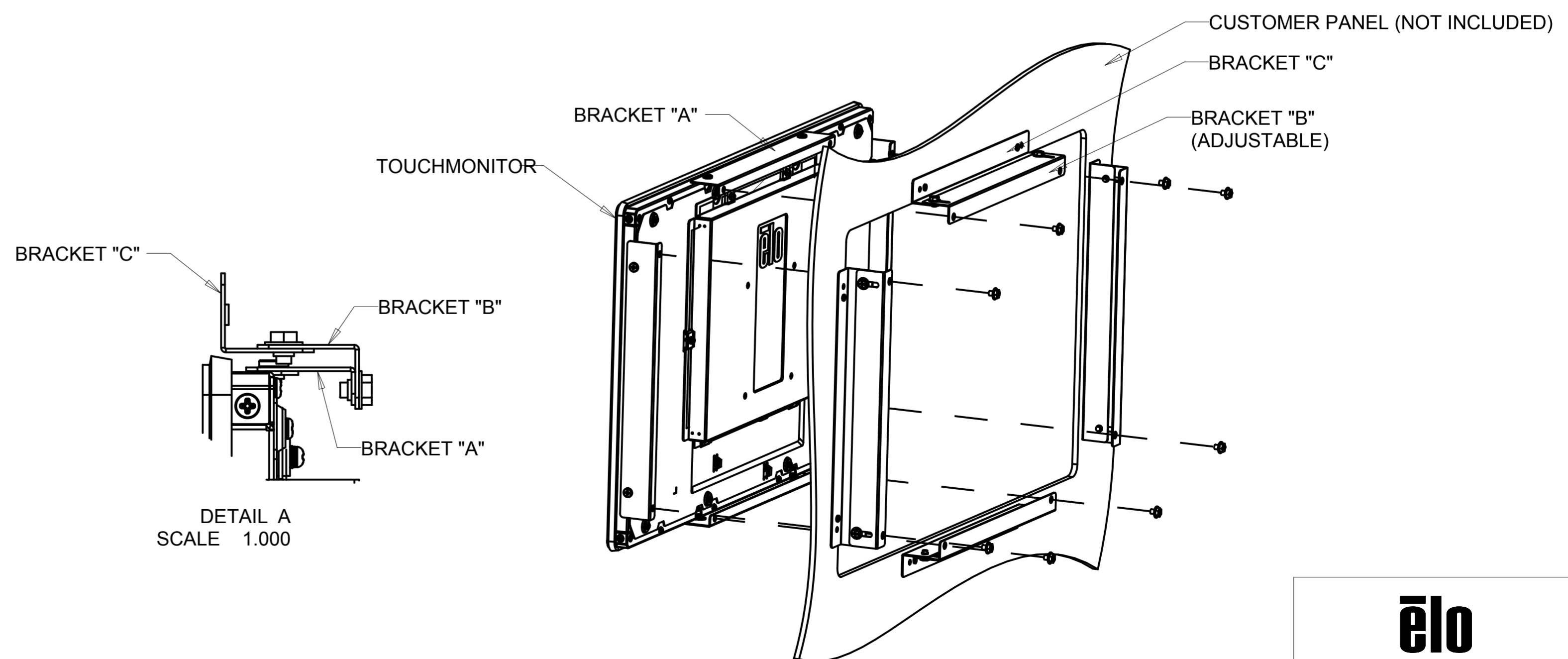
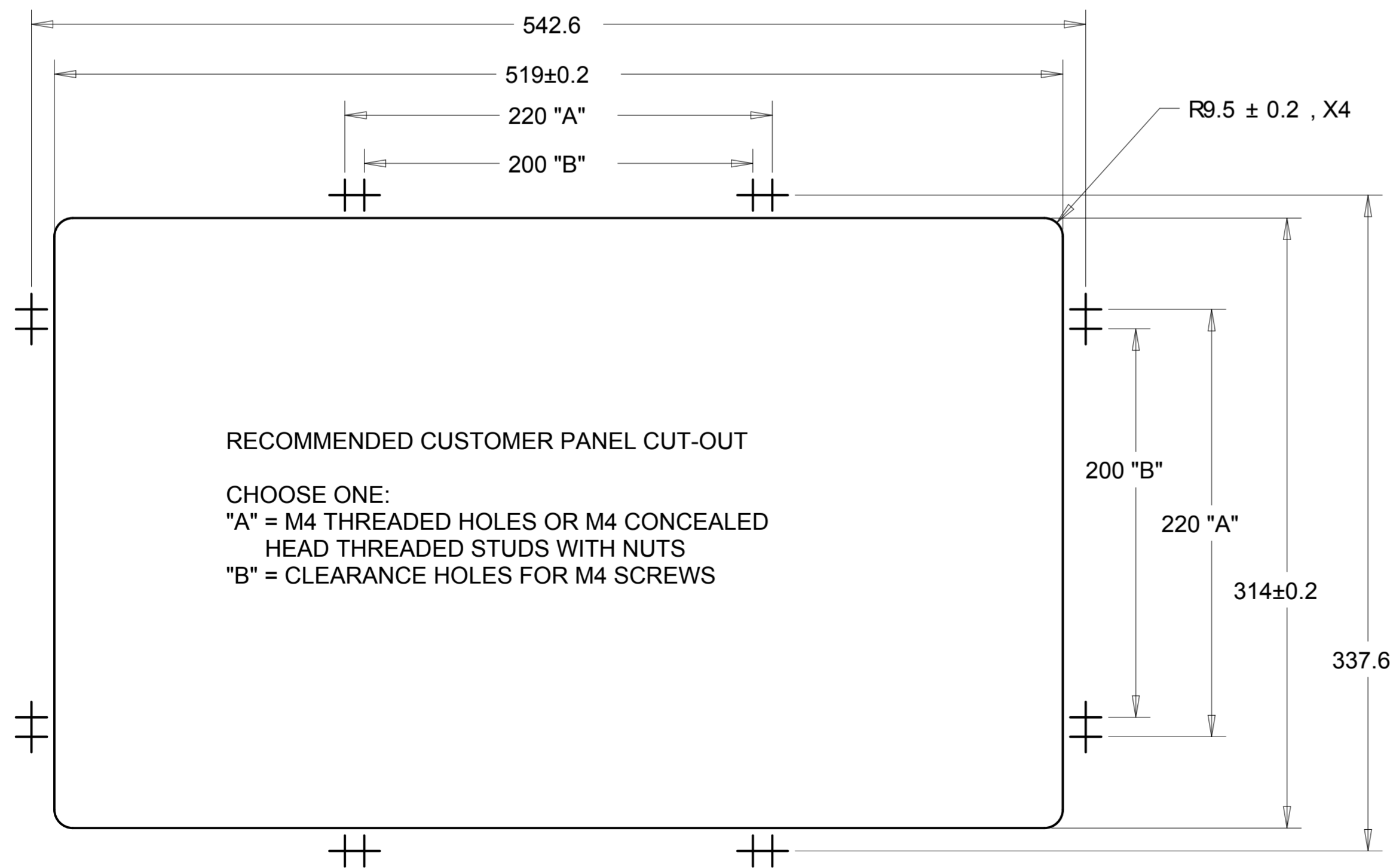
PROJECTED CAPACITIVE MODEL

WITH FLUSH MOUNTING BRACKETS (4 INCLUDED)  
 REPLACEMENT BRACKET KIT P/N E190706 AVAILABLE SEPARATELY



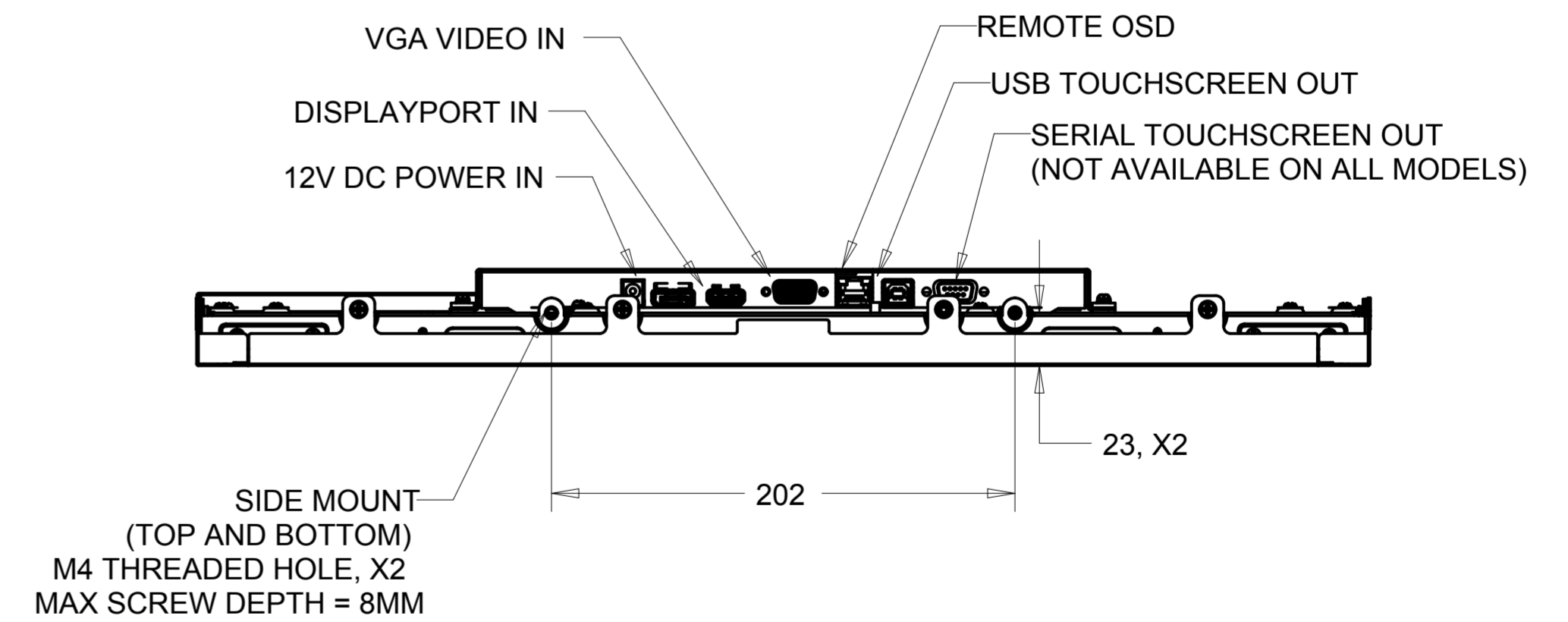
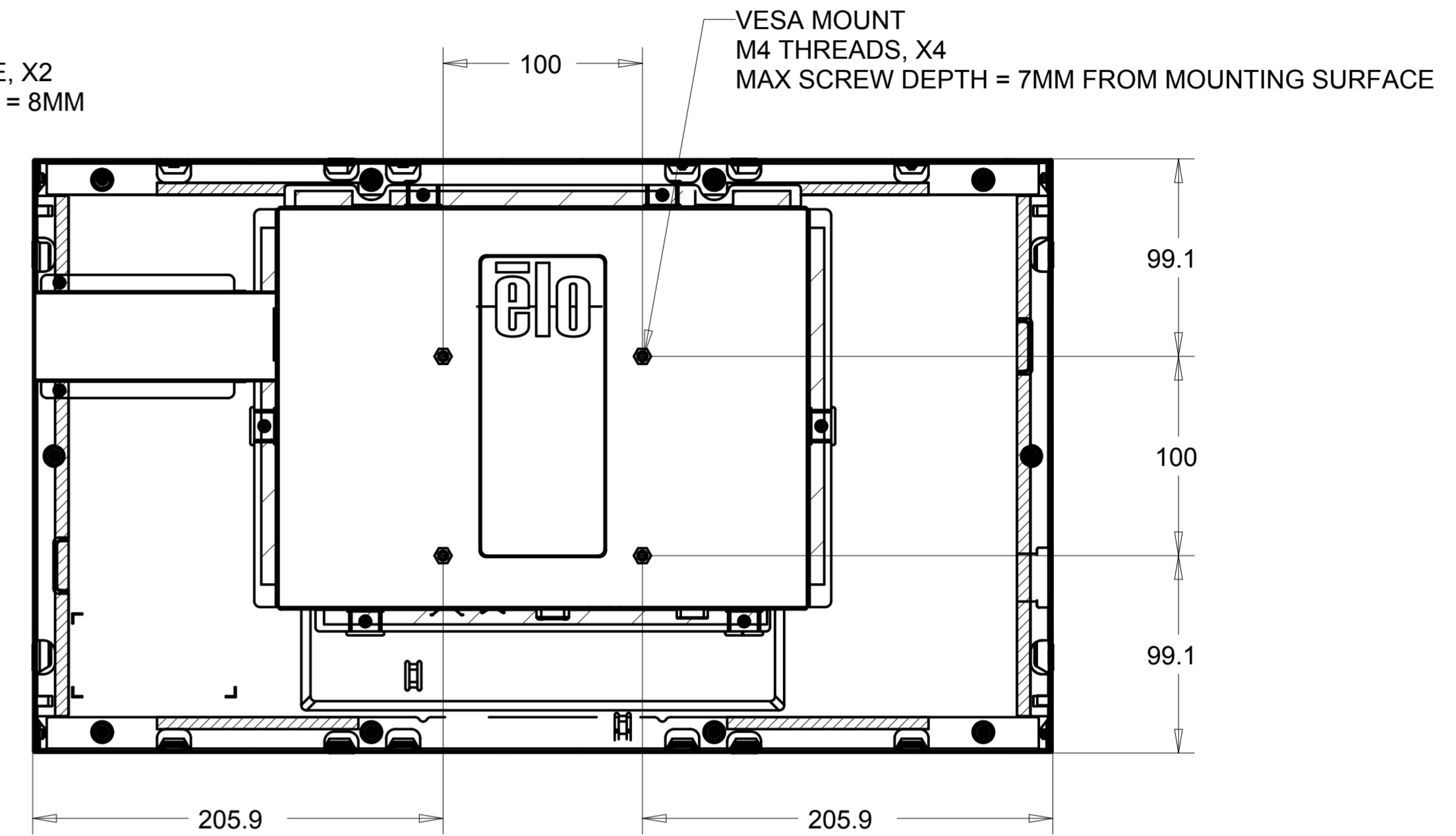
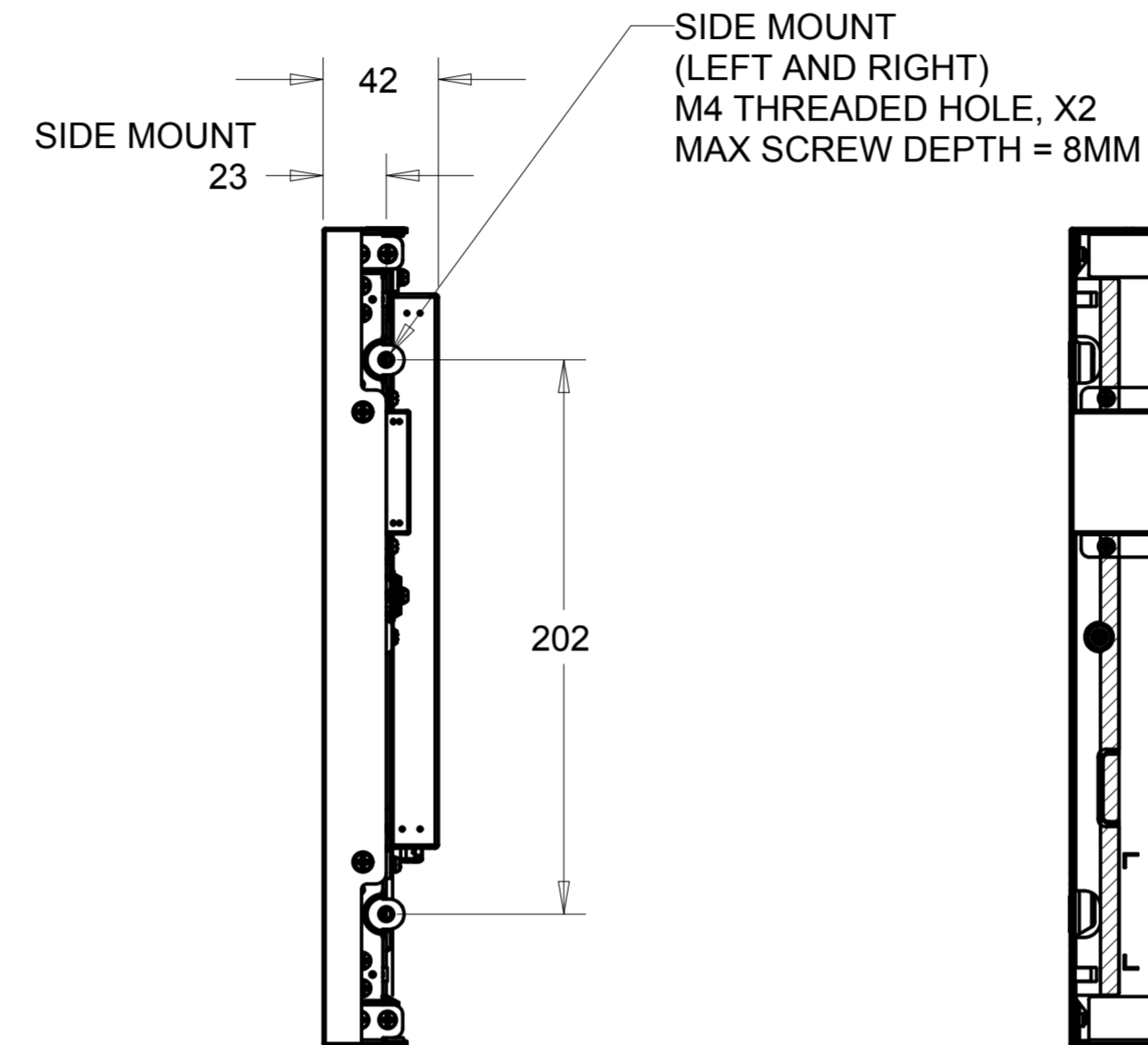
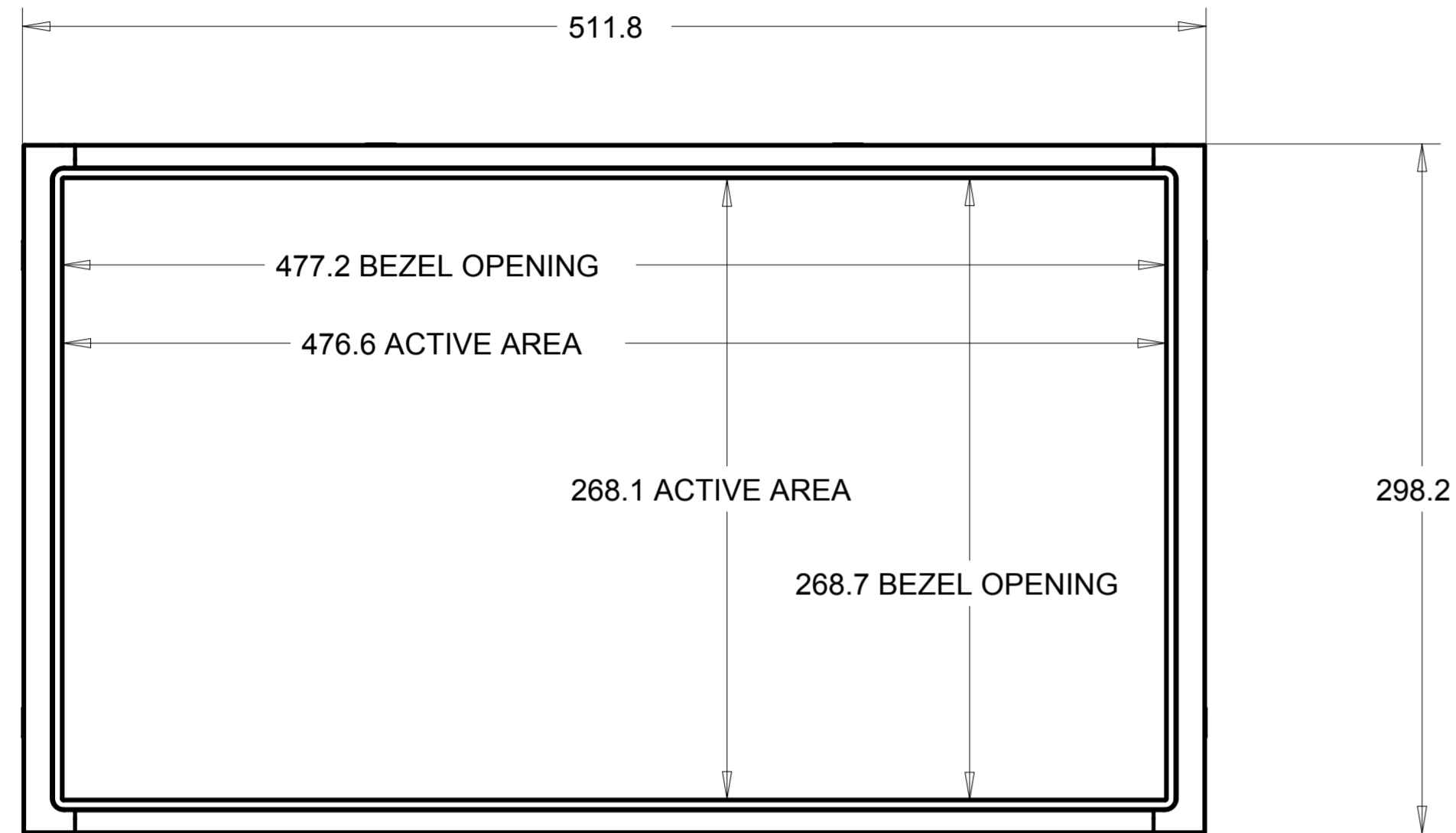
INSTALLATION NOTES:

1. ATTACH BRACKET "A" TO TOUCHMONITOR (ALL FOUR SIDES) WITH LOW PROFILE SCREWS (INCLUDED)
2. ATTACH BRACKET "C" TO CUSTOMER PANEL PER CUT-OUT DRAWING (ALL FOUR SIDES)
3. ATTACH BRACKET "B" TO BRACKET "C" ON ALL FOUR SIDES WITH M4 HEX HEAD SCREWS (INCLUDED)
4. ADJUST DEPTH OF BRACKET "B" SO MONITOR IS FLUSH WITH CUSTOMER PANEL
5. PLACE TOUCHMONITOR INTO CUSTOMER PANEL OPENING
6. SECURE TOUCHMONITOR TO BRACKET "B" FROM BEHIND WITH M4 HEX HEAD SCREWS (INCLUDED)



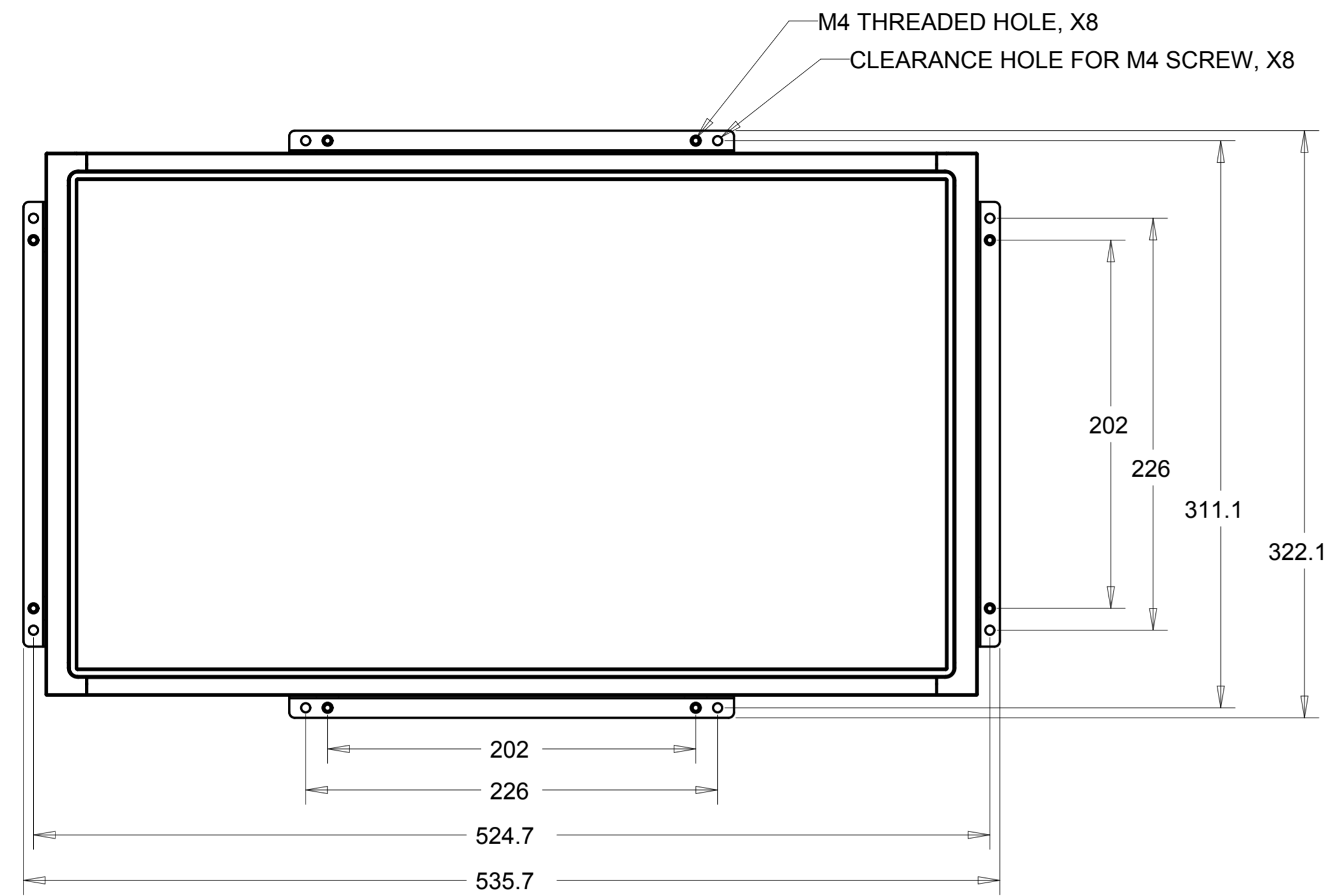
DIMENSIONS ARE IN MILLIMETERS

INTELLITOUCH, ACCUTOUCH, AND SECURETOUCH MODEL

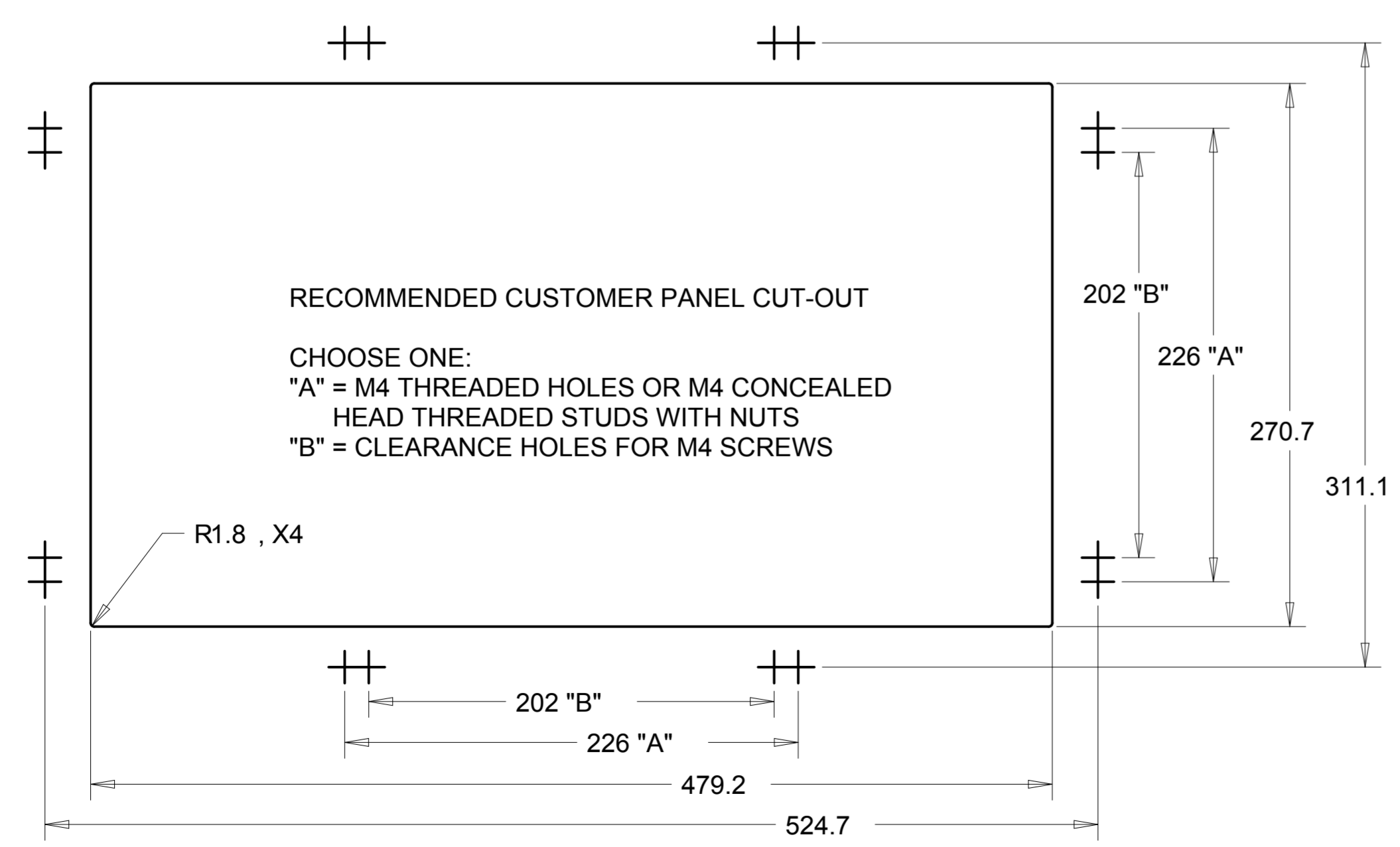
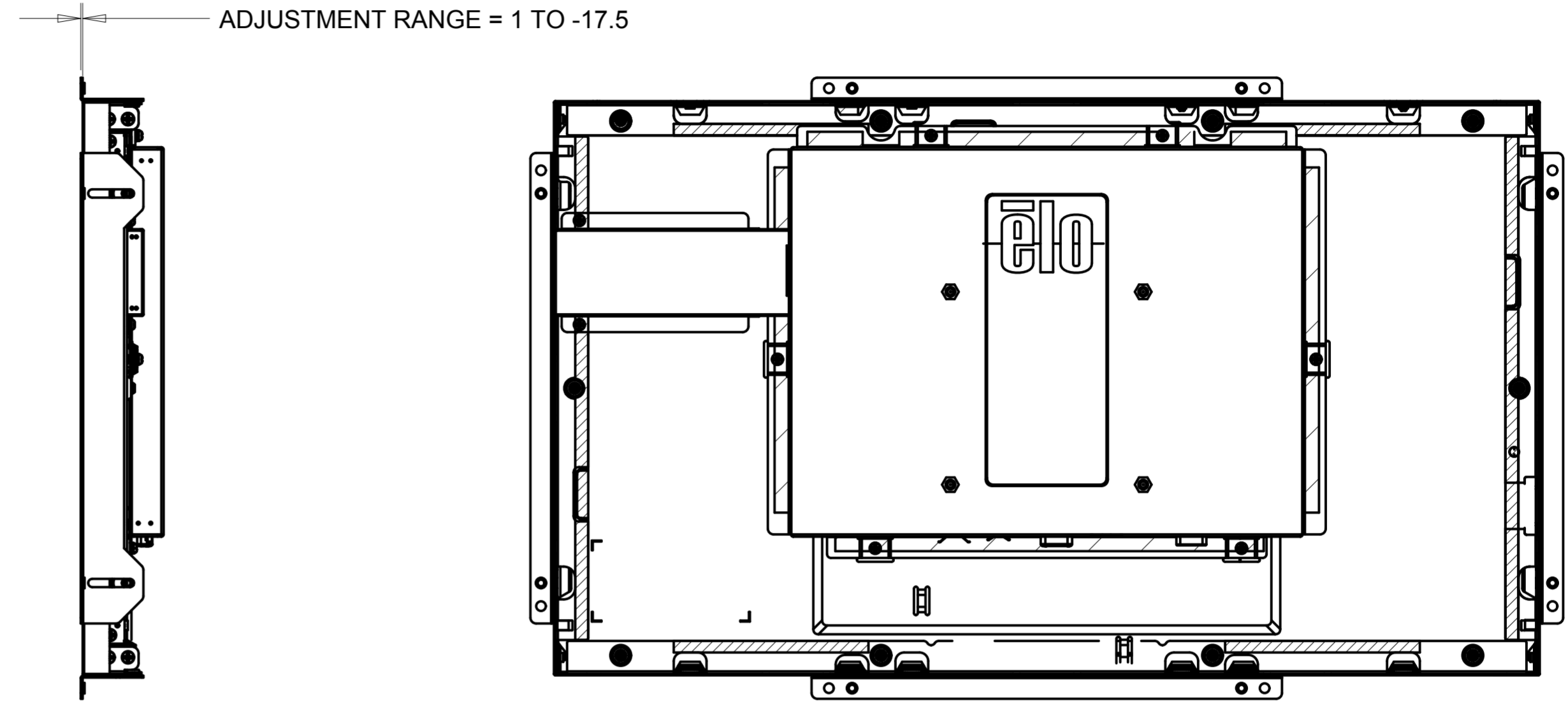


INTELLITOUCH, ACCUTOUCH, AND SECURETOUCH MODEL

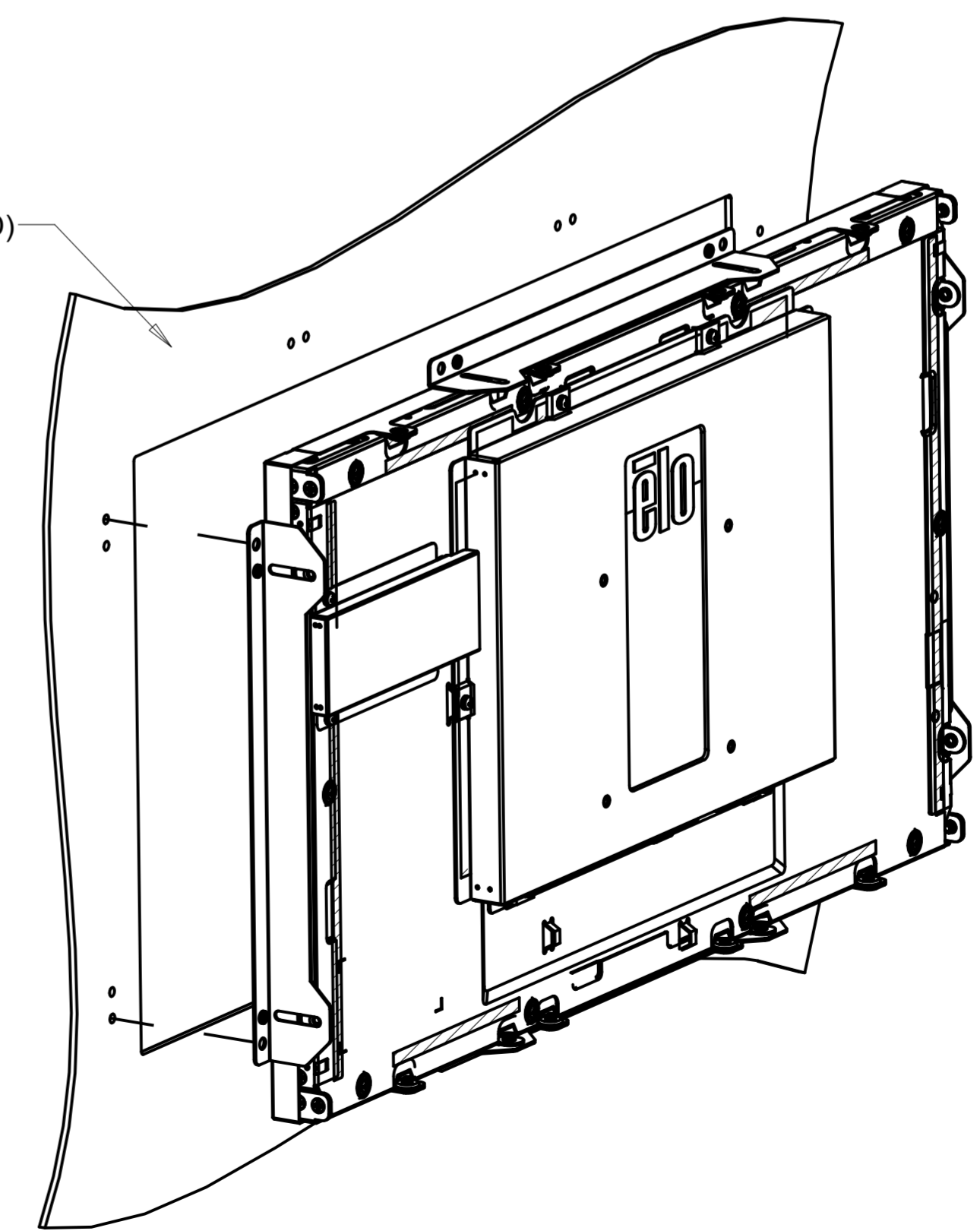
WITH SIDE MOUNTING BRACKETS (4 INCLUDED)  
 REPLACEMENT BRACKET KIT P/N E530432 AVAILABLE SEPARATELY



ADJUSTMENT RANGE = 1 TO -17.5



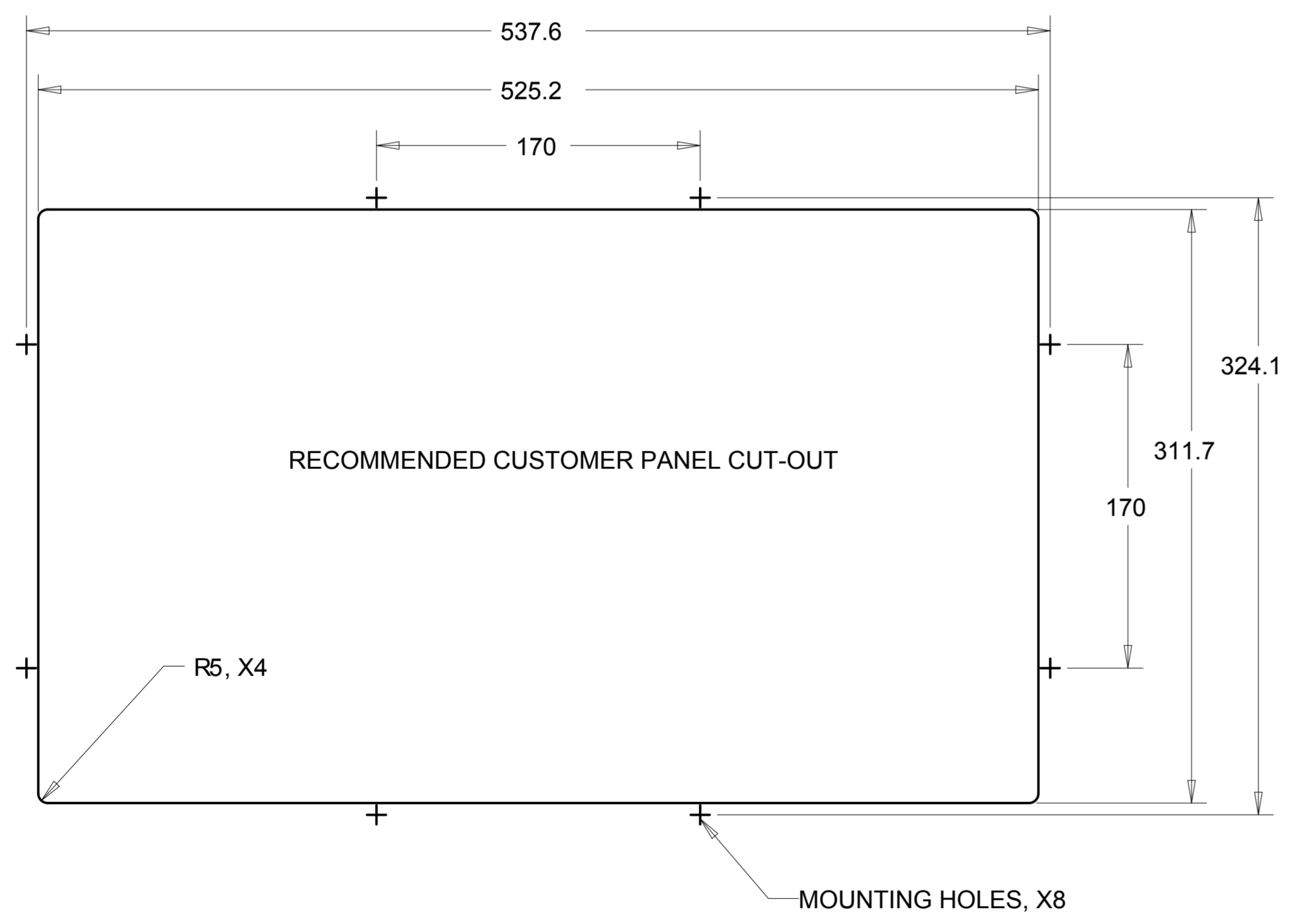
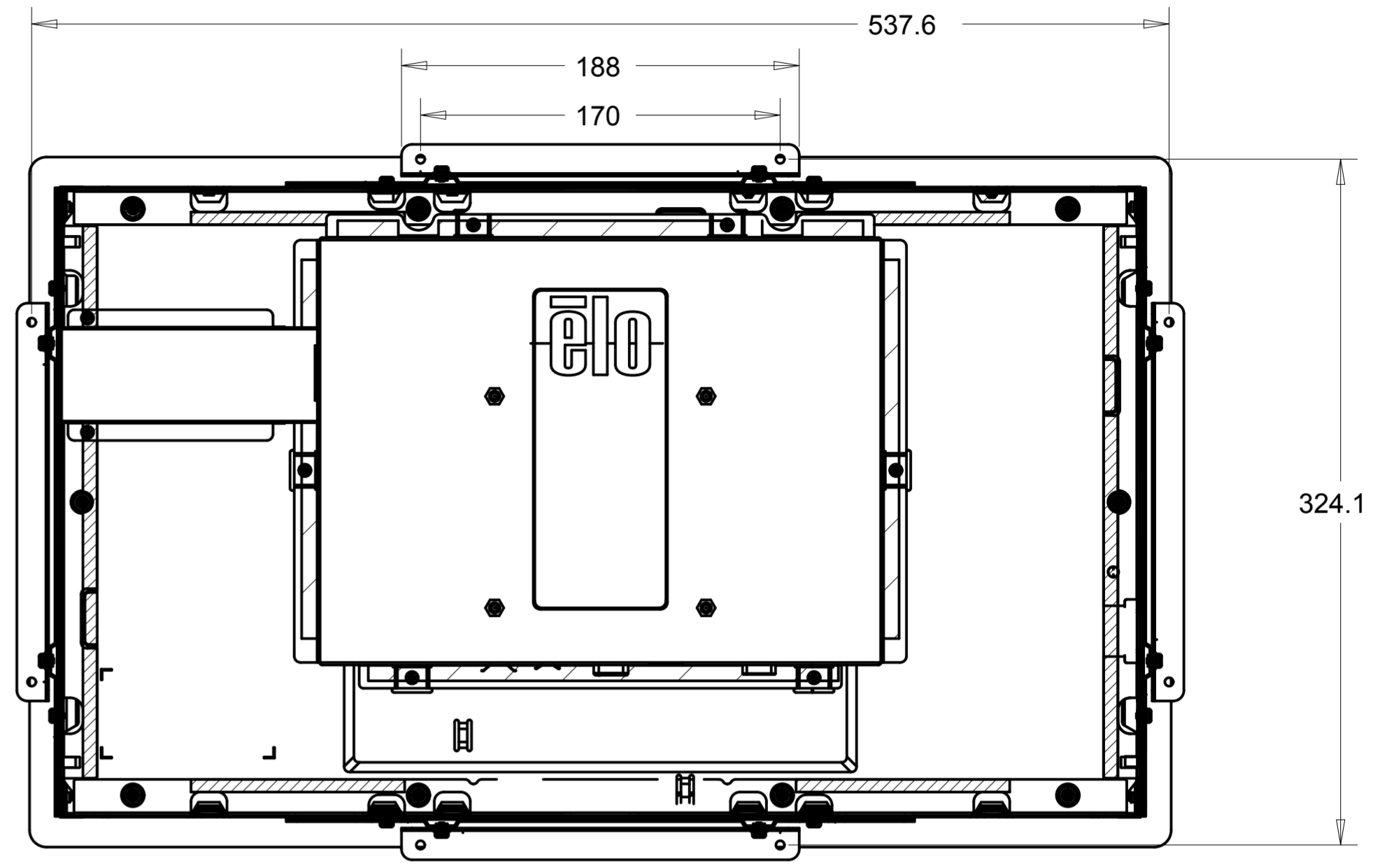
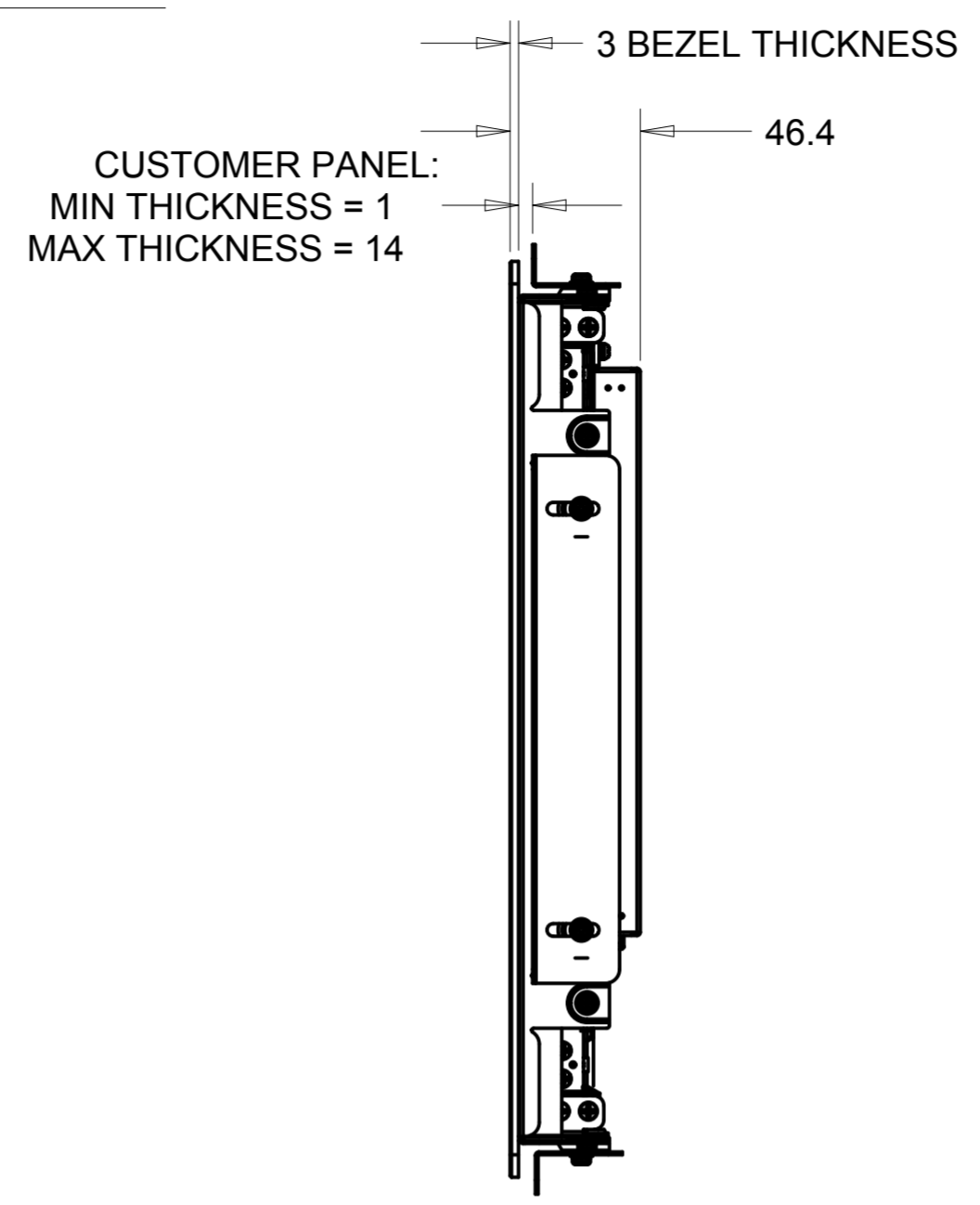
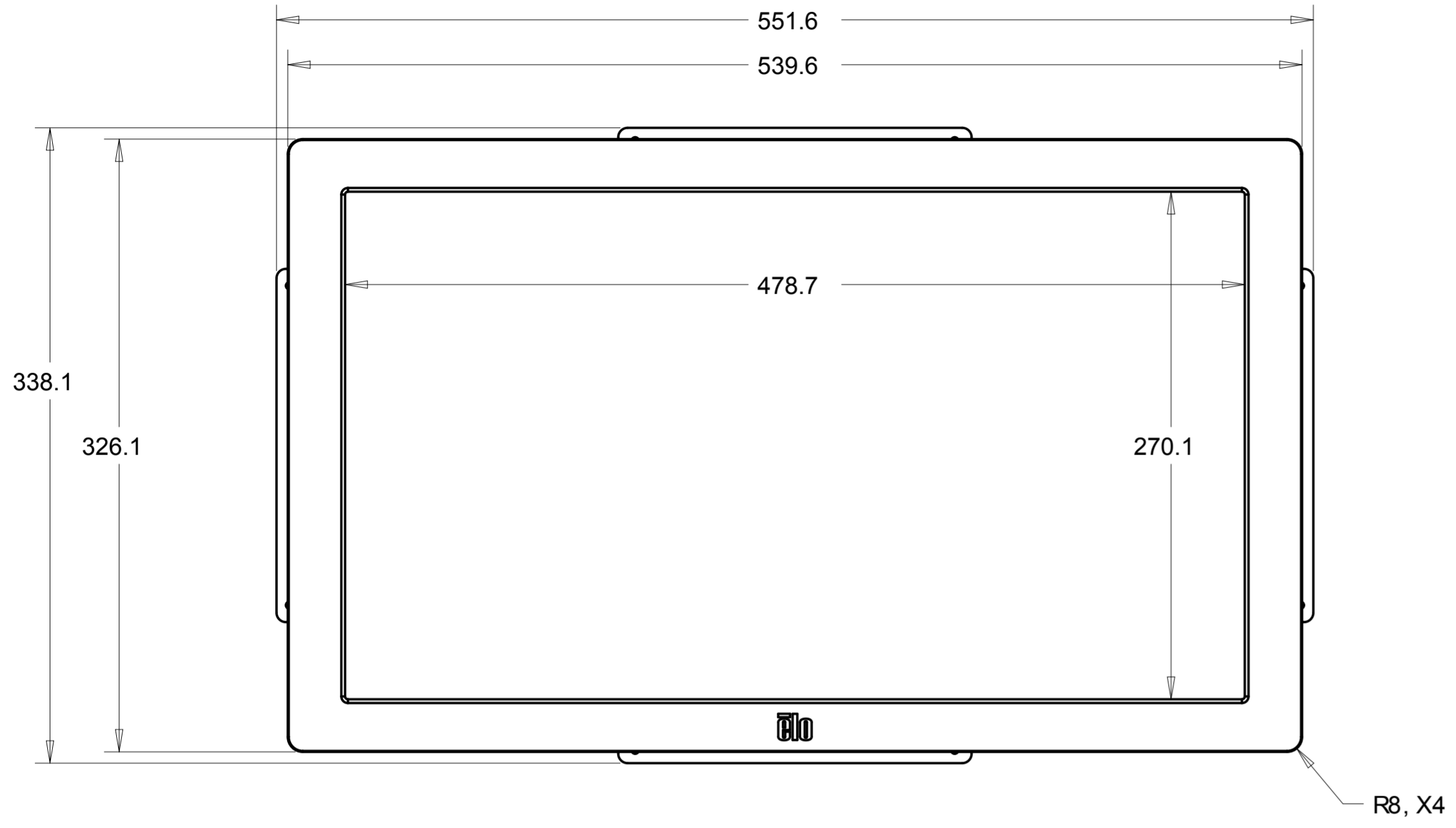
CUSTOMER PANEL (NOT INCLUDED)



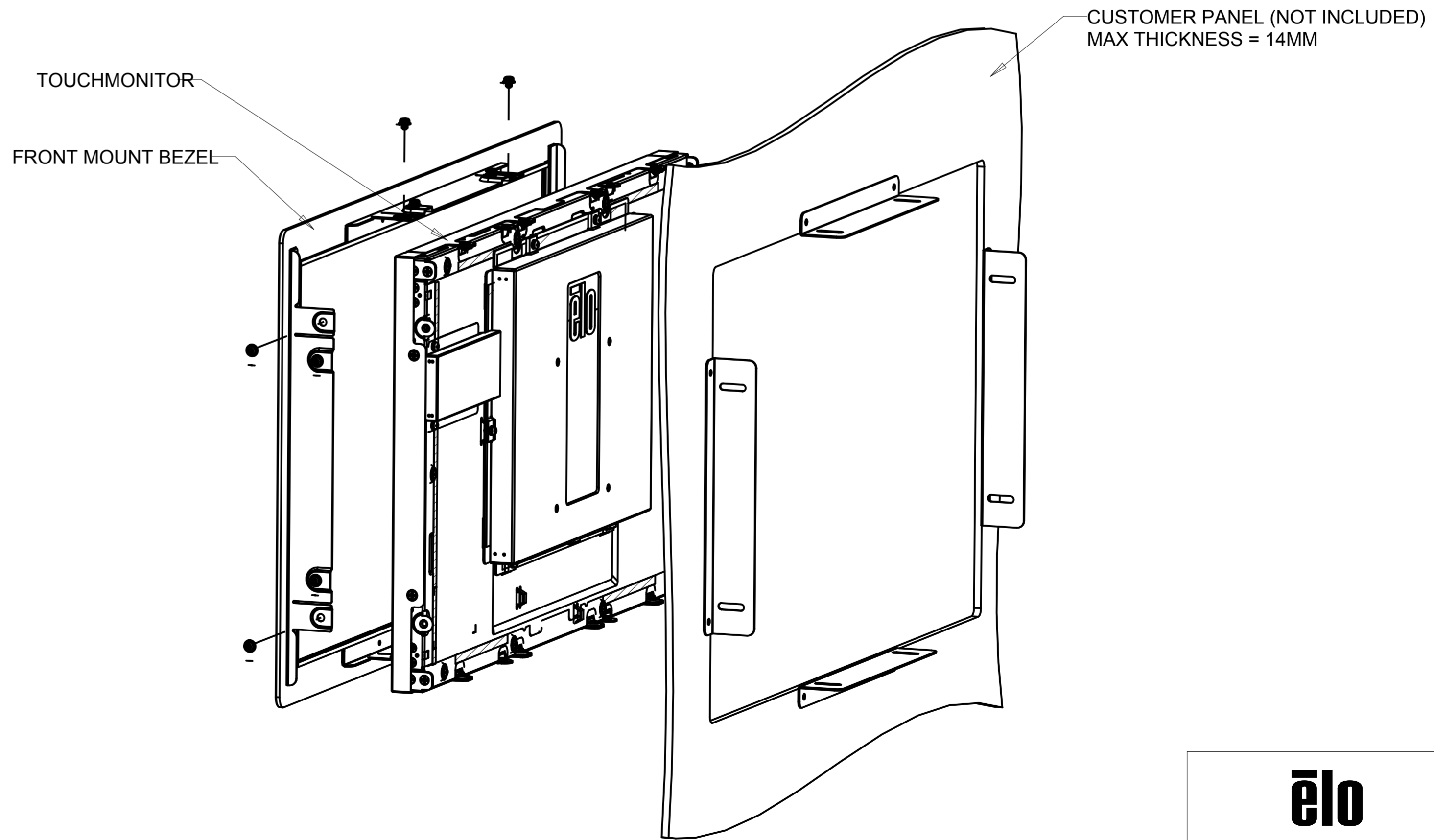
DIMENSIONS ARE IN MILLIMETERS



FRONT MOUNT BEZEL KIT P/N: E668194  
 (ORDERED SEPARATELY, CUSTOMER ASSEMBLED)  
 COMPATIBLE WITH INTELLITOUCH, ACCUTOUCH, AND SECURETOUCH MODEL ONLY



1. IF CUSTOMER PANEL IS WOOD,  
 Ø 4.5MM THRU HOLES FOR M4 SCREWS  
 OR NO THRU HOLES, SCREWS FOR WOOD Ø 4MM
2. IF CUSTOMER PANEL IS SHEET METAL,  
 CONCEALED HEAD THREADED STUDS M4 WITH NUTS

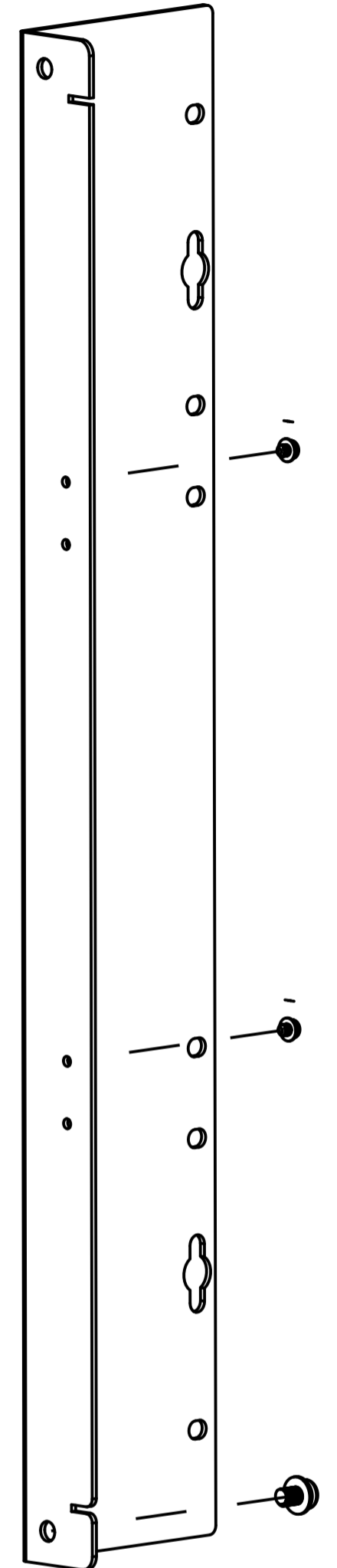
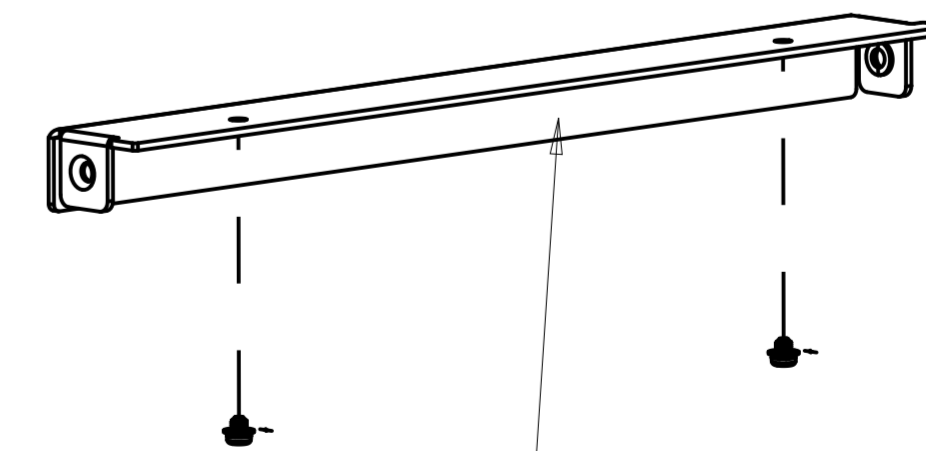
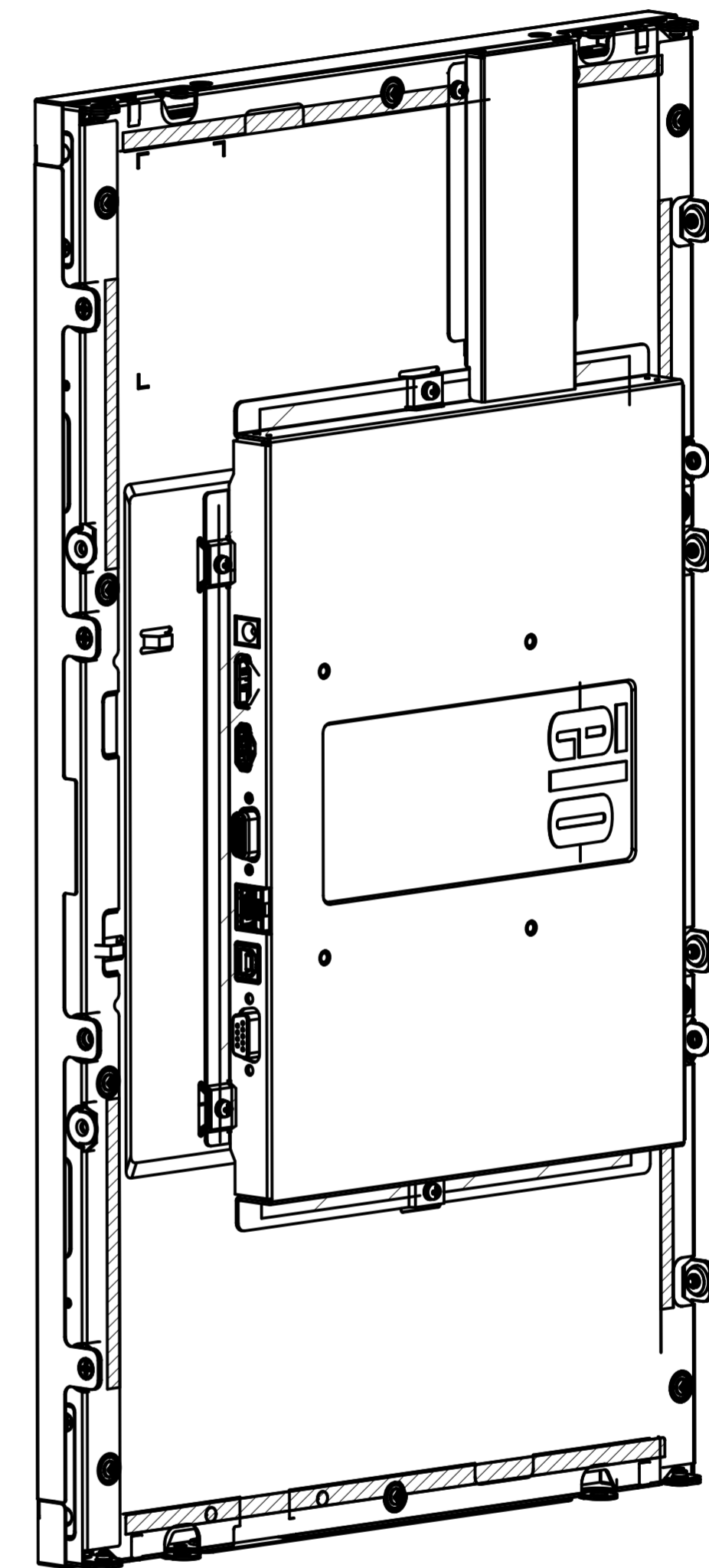
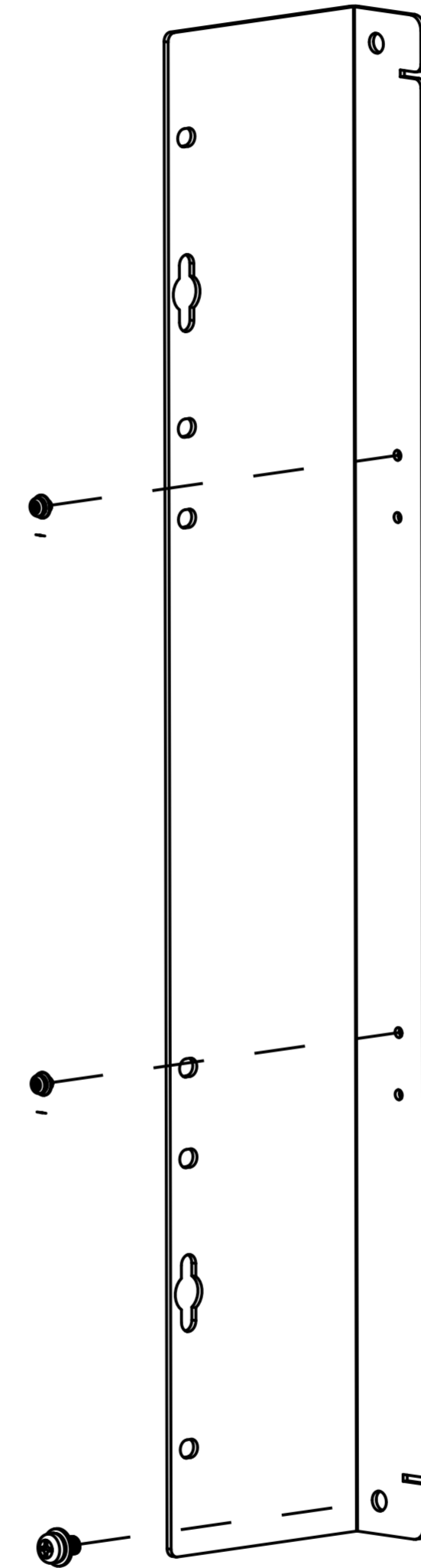
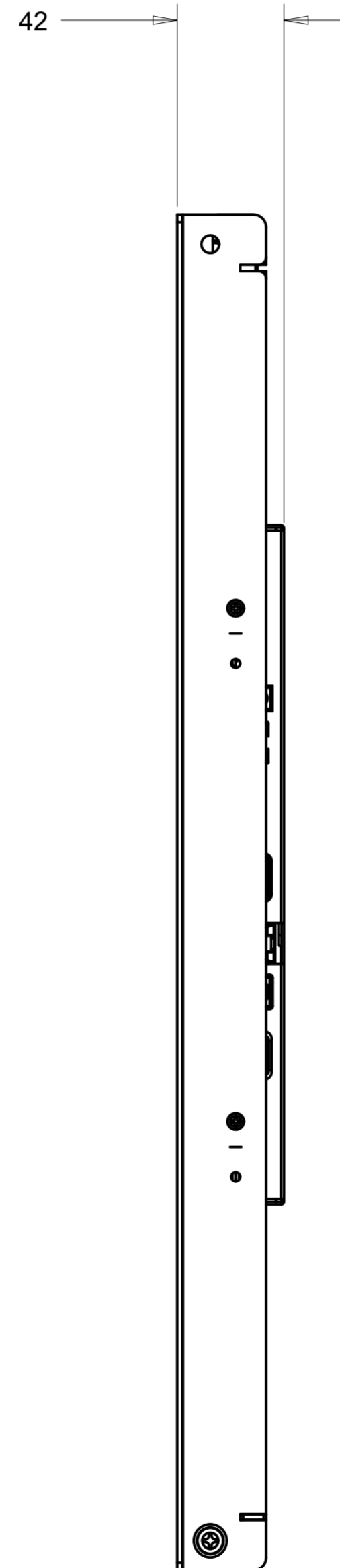
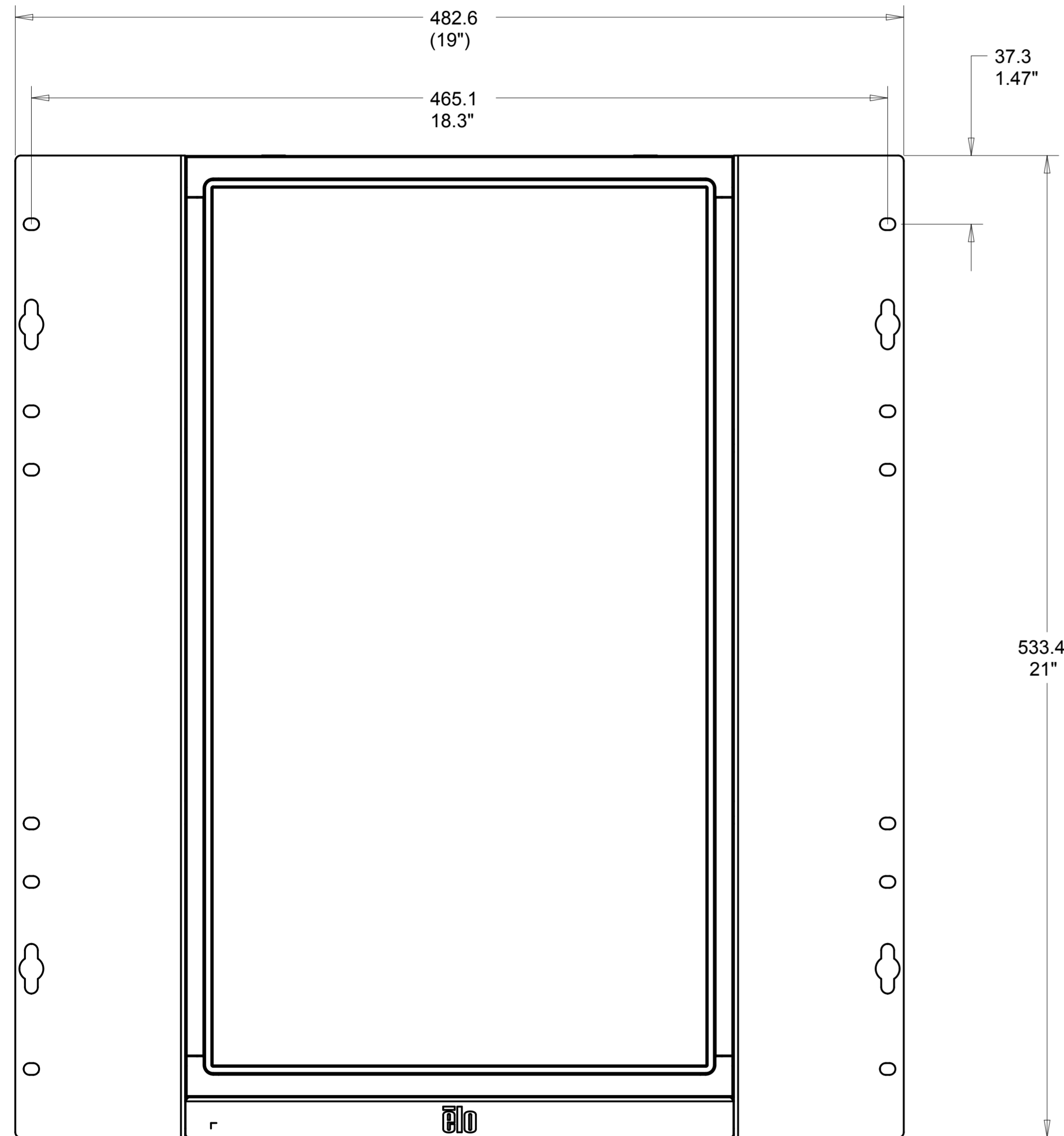


DIMENSIONS ARE IN MILLIMETERS

**RACK MOUNT BRACKET KIT P/N: E462672**  
**(ORDERED SEPARATELY, CUSTOMER ASSEMBLED)**  
**COMPATIBLE WITH INTELLITOUCH, ACCUTOUCH, AND SECURETOUCH MODEL ONLY**

NOTES:

1. REQUIRES 12U RACK SPACE
2. TOUCHMONITOR IS ORIENTED IN PORTRAIT MODE
3. HOLE SPACING PER EIA-310-D



INSTALL BOTTOM BRACKET FIRST USING 2X M4 SCREWS (INCLUDED)  
 THEN INSTALL SIDE BRACKETS WITH M6 AND M4 SCREWS (INCLUDED)