

INDOOR DIGITAL SIGNAGE

GENERAL LED DISPLAY

CLASS

MODEL

55"

D55EMI

KEY FEATURES

- LED BLU, Slim Design
- Power Consumption Reduced at 40% Compared to Normal Display
- Built in Video Wall Function
- Portrait / Landscape Orientation
- High Connectivity
- Remote Control (RS232)
- IR touch screen



Broadcast your branding with Hyundai Digital Signage!

Thanks to the advanced product design, Hyundai Digital Signage Display meets requirements for various digital signage solutions. Not only take advantage from slim and simple design, but also think more about our future environment, saving energy up to 40 percent. LED technologies bring more than just expected.



SPECIFICATIONS

Model	D55EMI	
Panel	Screen Size (diagonal)	55"
	Active Display Area (mm)	1209.6 x 680.4
	Resolution	1920 x 1080
	Aspect Ratio	16:9
	Display Colors	1.07B
	Brightness (cd/m ² ; typ.)	700
	Contrast Ratio	4000:1
	Response Time (ms; GTG)	6.5
	Viewing Angle	178°/178°
	Lifetime (hours)	50,000
	Backlight type	LED
	Touch	Touch type
Glass		Transmission: 93%, Thickness: 5mm tempered glass
Others		USB 2.0 Windows, Linux, Mac OS X
Resolution	Monitor	1920 x 1080
	DTV	1080p
Connectivity	Input	1x DVI 1x HDMI 1x VGA(D-Sub) 1x PC Audio 1x RS232C 1x IR sensor
	Output	1x DVI 1x RS232C 1x Audio Line out 1x IR sensor
Power	Input Voltage	100 – 240V AC
	Power consumption	185 W
Features	PIR Sensor (Motion detection)	option
	Built in speaker	option
	Auto Power Control	yes
	Auto Brightness Sensor	yes
Operation	Temperature (°C)	0 - 40
	Humidity (%)	20 - 80
	OSD Language	10 Lang
Dimension	Set (W x H x D), mm	TBD
Bezel Size (U/D/L/R), mm		TBD
Wall Mounting (WxH), mm		600 X 400
Weight	Set (kg)	TBD

FEATURES

LED Backlight

HYUNDAI's public displays with LED backlight bring the advantage of up to 40% lower power consumption, compared to displays with CCFL backlight.

Easy operating OSD menu, Remote control

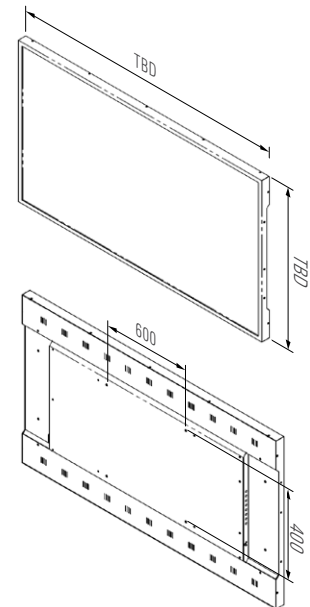
In order to setup a multi display wall, the single units are linked by a daisy chain connection over DVI interface. The configuration of each display can be easily set-up over the on-screen menu or the RS232C interface.

Slim & Light Design

Take advantages of slim & light design thanks to LED technology. Save your space and make harmony with your interior.

DIMENSIONS

D55EMI [unit: mm]



Specifications and design are subject to change without notice. See our website for detailed information.

HEAD OFFICE - HYUNDAI IBT CO., LTD.

106, Apogongdan-gil, Gimche on-si, Gyeongsangbuk-do, 740-862 The Republic of Korea
Tel. +82 54 430 6426 E-mail: prio123@hyundaiibt.com
www.hyundaiibt.com

HYUNDAI IT AMERICA CORP.

2051 Junction AVE., Suite 112 San Jose, CA 95131, USA
Tel. +1 408 954 8920 email : sales@hyundaita.com
www.hyundait.com

HYUNDAI IT EUROPE GMBH

Siemensstrasse 22, 63225 Langen, Germany
Tel. +49(0) 6103-38878-100 email : info@hyundait.eu
www.hyundait.eu

HYUNDAI IT JAPAN

Sunbridge Ogawamachi Bldg 4F, 2-2 Ogawamachi Kanda Chiyoda-Ku, Tokyo, Japan
Tel. +81 3 5259 7645 email : oysk@hyundait.com
www.hyundait.jp