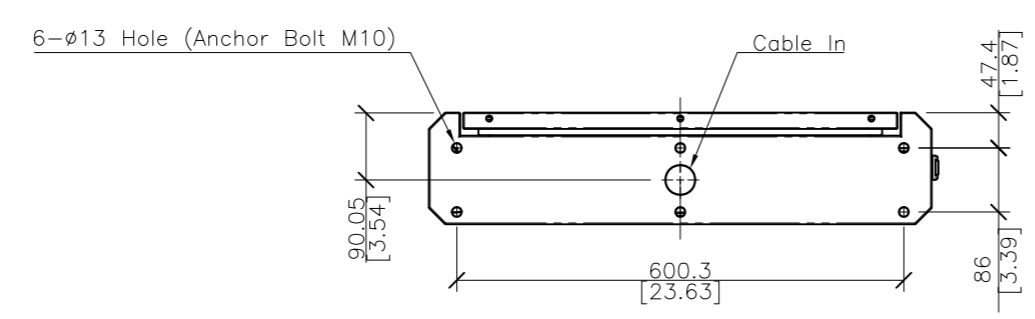
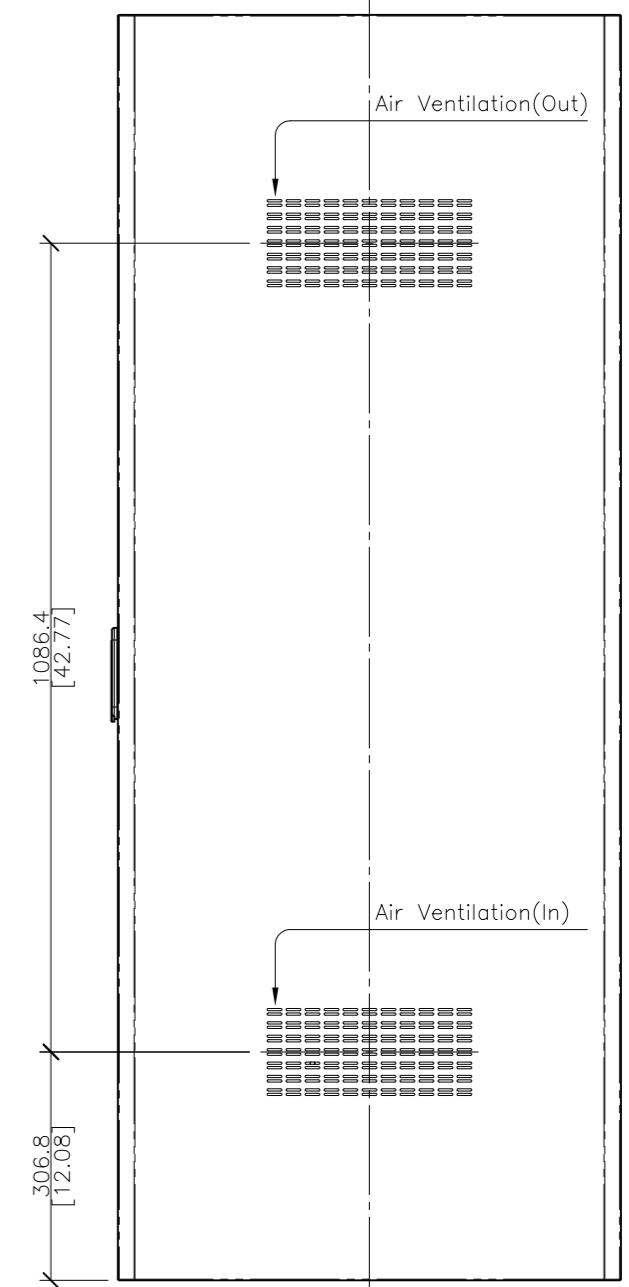
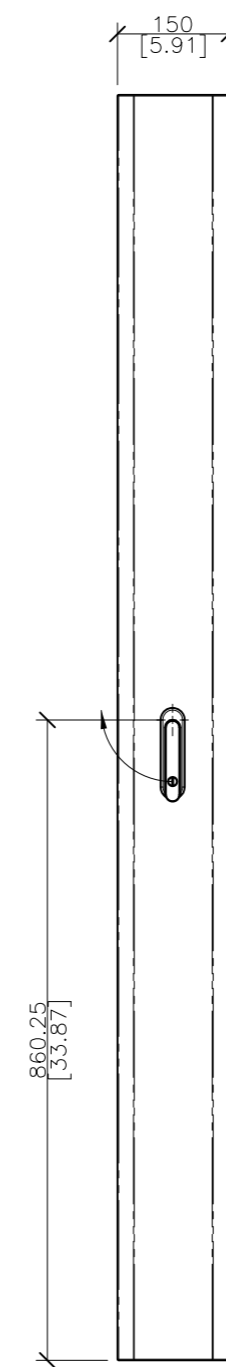
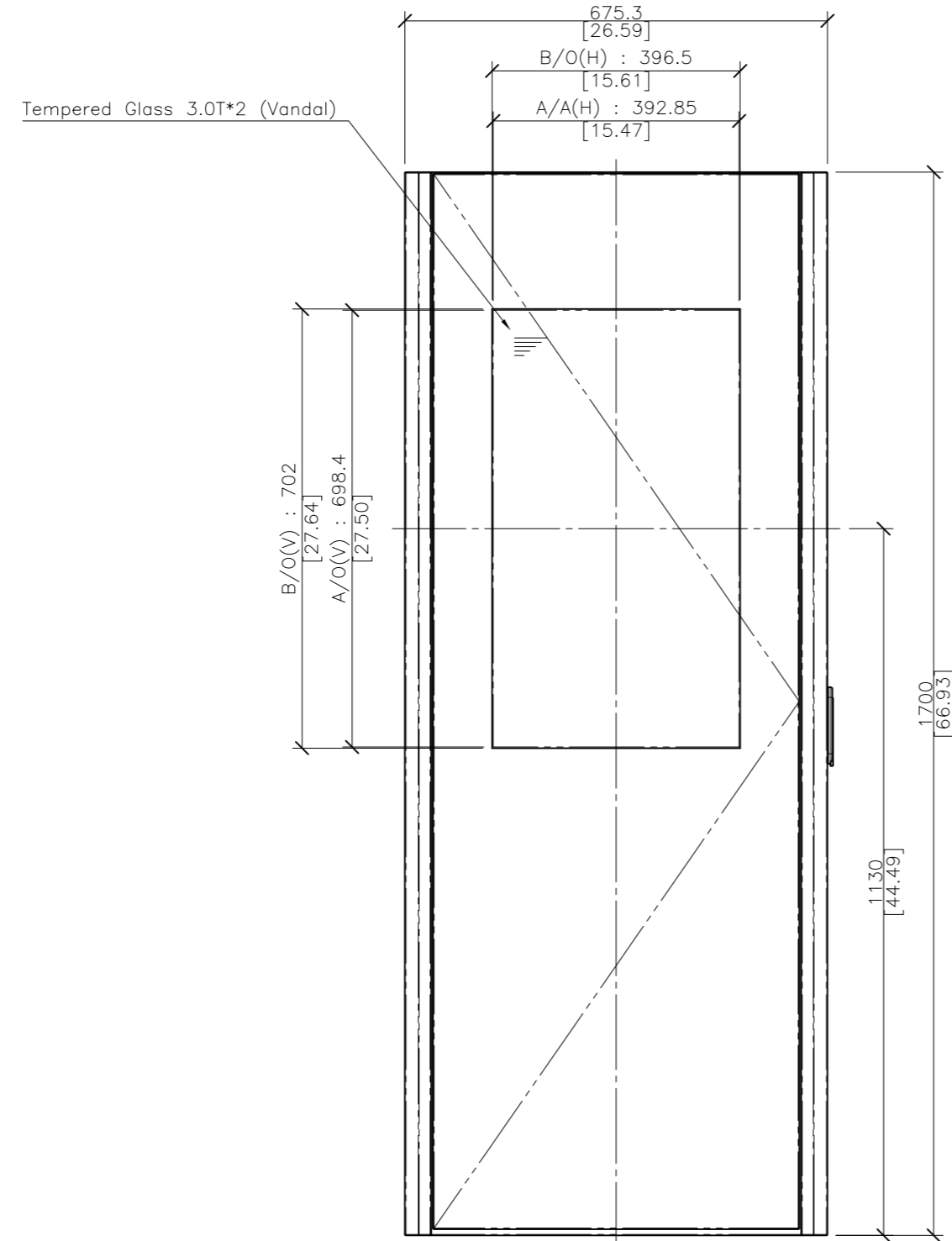
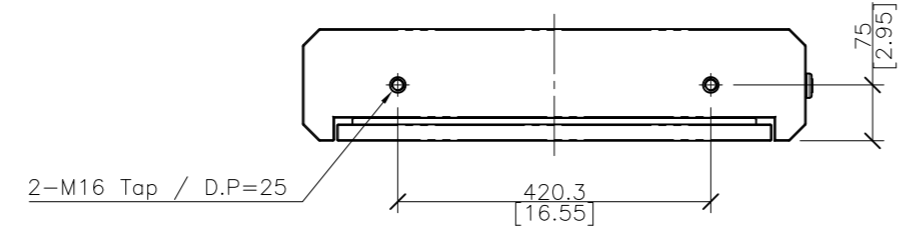


REV. NO		REV. HISTORY	LTR	ECO NO	DATE	APPR'L
DWG	PART					
00	00	INITIAL RELEASE	-	-	-	-



NOTES,

1. Cable Entry : Cable Gland("IP66" or more certified products should be used)

This drawing is the property of HYUNDAI IT Corp. and should not be disclosed to any third party without prior permission of HYUNDAI IT Corp..

DRAWN S.H.JANG	PLANNED S.H.JANG	CHECKED -	APPROVED Y.T.KIM	UNLESS OTHERWISE SPECIFIED ALL DIMENSION ARE IN MILLIMETERS TOLERANCES ARE: LINEAR : X ± 0.20 X ± 0.1 XX ± 0.01 ANGLES : ± 0.1° RADIUS UNLESS NOTED : R 0.3	ANGLE 3rd.	TITLE : H325SS Series EXTERIOR VIEW	UNIT : mm
'15.04.29	'15.04.29	-	'15.04.29	SCALE : 1/10	TYPE : ASSY		
				MODEL NAME (CODE): H325SS*	CUSTOMER: HDT	DWG REV : 01	DWG(PART) NO. H325SS_001
				FILE NAME : LAYOUT_H325SS_150429.DWG		SHT NO : 1/1	