

Tiltable universal wall mount



052.6050 Tiltable universal wall mount: max. 1100 x 600 mm, 120 kg

All universal wall mounts are VESA compatible. Besides wall mounting, all our wall mounts can be used for ceiling mounting in combination with a tube set, and directly fastened to the stands thanks to its 170 x 140 mm mounting pattern. The mounts include fastening material, to secure the mount to the display. Furthermore they include a safety bar or fixation, offering you protection from theft; a padlock is to be added separately.

Tiltable universal wall mount

Features

Weight: 13.60 kg

Colour: Black

Maximum load: 120 kg

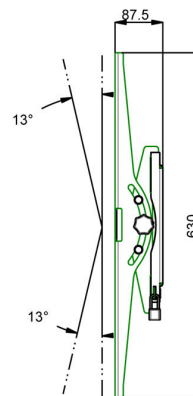
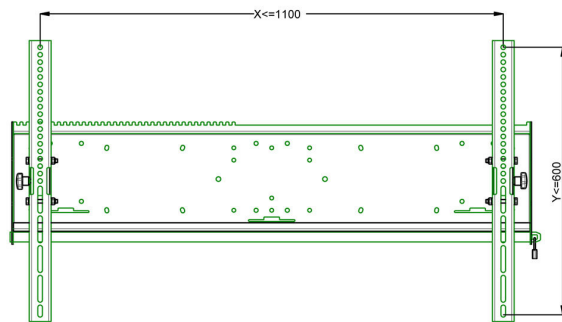
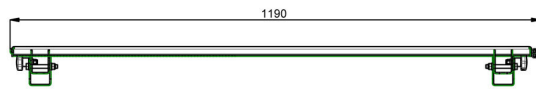
Screen position: Landscape

Type bracket/interface: Universal

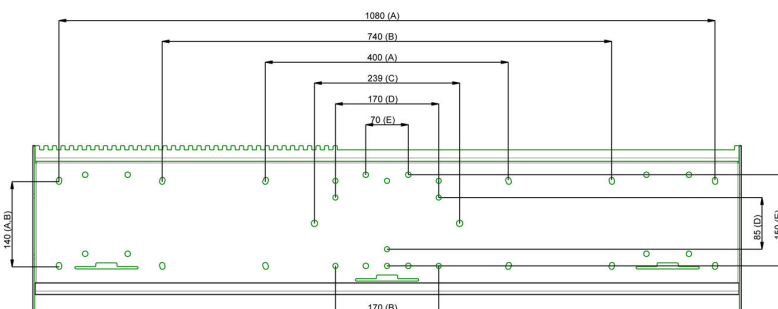
Range bracket/interface: Max. 1100 x 600 mm

Tilt function: +13° till -13°

Mounting system: 170 x 140 mm



Compatible with:
 VESA 75x 75
 VESA 100x100
 VESA 200x100 / 100x200
 VESA 200x200
 VESA 300x300
 VESA 400x400
 VESA 600x200
 VESA 600x400
 VESA 600x600
 VESA 800x200
 VESA 800x400
 VESA 800x600



- A Mounting holes wall (M8)
- B Extra mounting holes wall (M8)
- C Mounting holes truss system (M10)
- D Mounting holes flat screen stand
- E Mounting holes ceiling tube system (M8)